

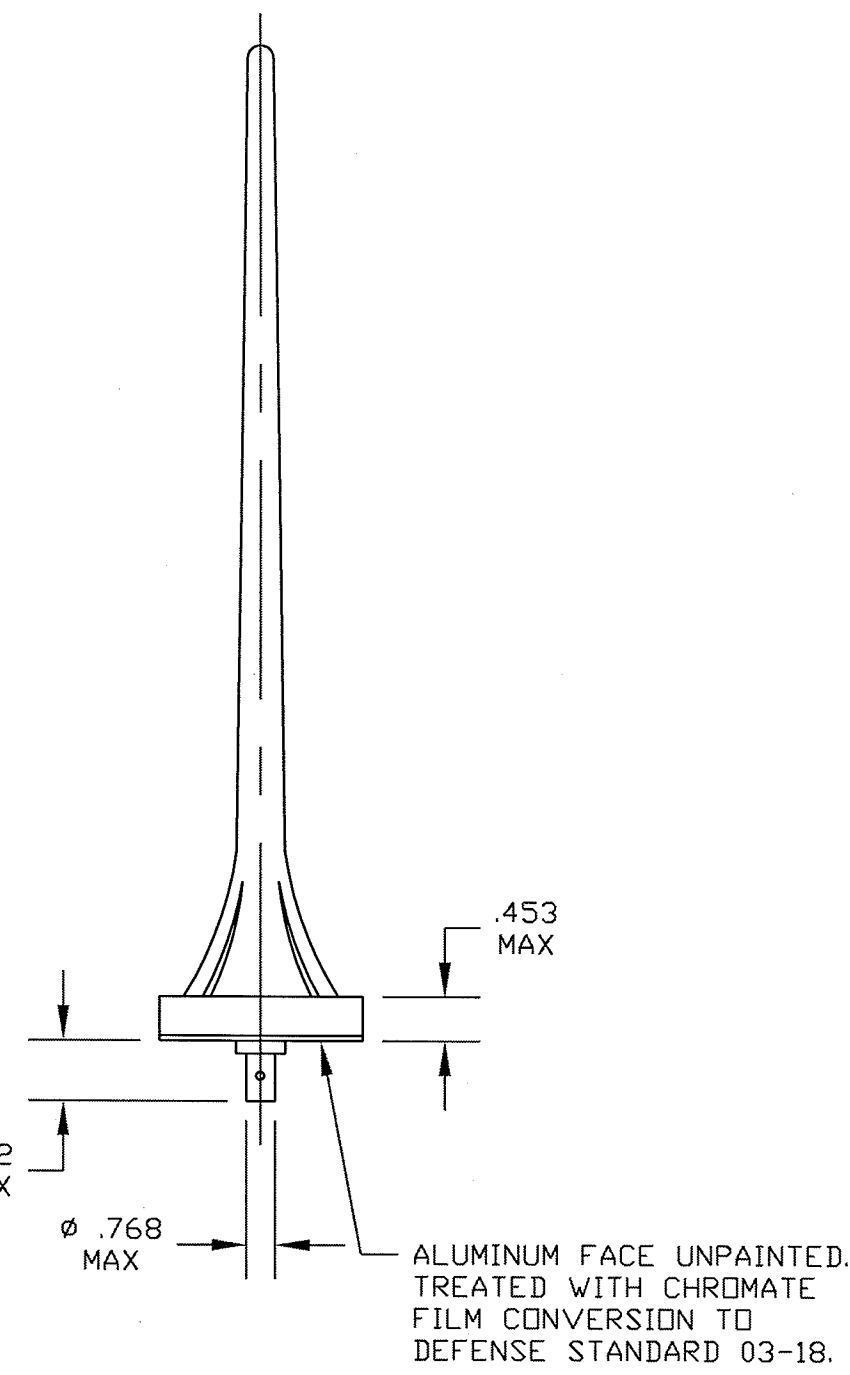
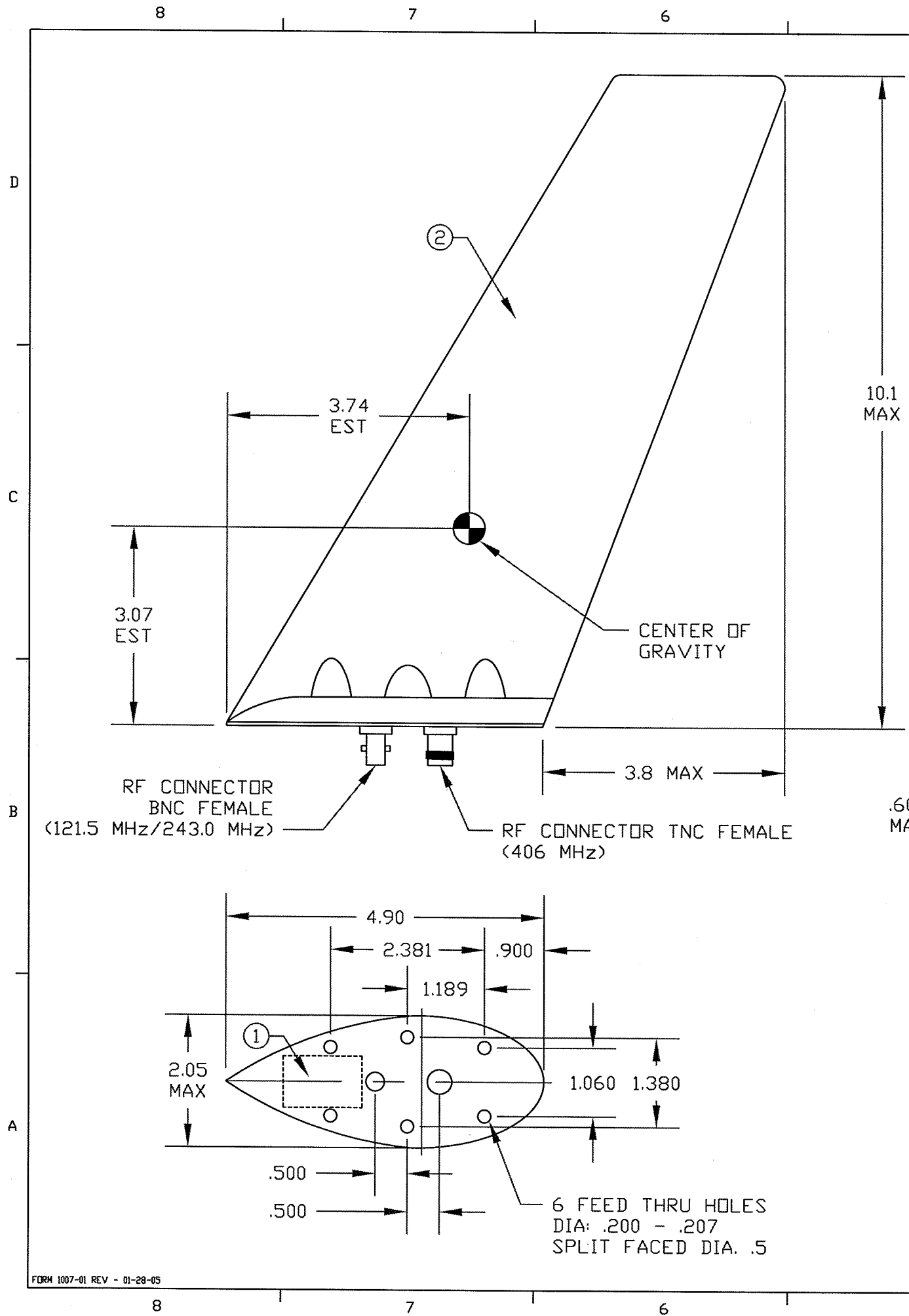
DATE	SYM	REVISION RECORD	AUTH	DR	CK
06-29-99	-	ECD 1163	DQ	DF	PW
05-25-00	-	ECD 1405	DQ	LP	DF
03-07-05	-	DCN 2551		DR RB	DE

NOTES:

1. WEIGHT: .76 LBS.
2. FINISH: WHITE EPOXY TO DEFENSE STANDARD 80-161.
3. FREQUENCIES: 121.5 MHz, 243.0MHz AND 406 MHz
4. NOMINAL IMPEDANCE: 50 OHMS
5. POLARIZATION: VERTICAL
6. RADIATION PATTERN: OMNIDIRECTIONAL
7. VSWR: 2.0 : 1 OR BETTER @ 121.5/243.0 MHz
1.5 : 1 OR BETTER @ 406MHz
8. MATING CONNECTOR: BNC AND TNC SERIES
9. THE COMPASS SAFE DISTANCE FOR THIS EQUIPMENT IS LESS THAN 11.8 INCHES.
10. MAXIMUM AIR SPEED: MACH 1
11. APPLY LABEL (ITEM 1) OVER MANUFACTURER'S ID PLATE. ENSURE THE SERIAL NUMBER ON THE LABEL MATCHES THE MANUFACTURER'S SERIAL NUMBER.

INSTALLATION NOTES:

1. TORQUE 25-26 IN/LBS. ON MOUNTING FASTENERS DURING INSTALLATION.
2. PROVIDE A .625" DIAMETER HOLE FOR THE BNC CONNECTOR AND FOR THE TNC CONNECTOR.
3. A LAYER OF ANTI-CORROSION BONDING GREASE SHOULD BE APPLIED BETWEEN THE AIRCRAFT AND THE BASE OF THE ANTENNA.
4. MOUNT ANTENNA USING 100° COUNTERSUNK HEAD #10 SS MACHINE SCREWS AND ASSOCIATED HARDWARE.
5. GASKET IS NOT SUPPLIED AND USE IS OPTIONAL. CONTACT ARTEX AND REQUEST PART #183-1622 IF ONE IS DESIRED.



TOLERANCE TABLE	
UNLESS OTHERWISE SPECIFIED	.XX ±.03
TOLERANCES ARE:	.XXX ±.010
	.XXXX ±.0050
	XX' ±1"
UNLESS OTHERWISE SPECIFIED DIMENSIONS ARE IN INCHES & PER ASME Y14.5M	

REVISION HISTORY ON SHEET 1

PROPRIETARY INFORMATION
THIS DOCUMENT DISCLOSES SUBJECT MATTER IN WHICH ARTEX AIRCRAFT SUPPLIES, INC. HAS PROPRIETARY RIGHTS. NEITHER RECEIPT NOR POSSESSION THEREOF CONFERS OR TRANSFERS ANY RIGHT TO REPRODUCE OR DISCLOSE THE DOCUMENT, ANY PART THEREOF, ANY INFORMATION THEREIN, OR ANY PHYSICAL ARTICLE OR DEVICE, OR PRACTICE ANY METHOD OR PROCESS EXCEPT BY WRITTEN PERMISSION FROM OR WRITTEN AGREEMENT WITH ARTEX AIRCRAFT SUPPLIES, INC.

ITEM	PART NO.	REV	DESCRIPTION	QTY
2	870-1622	-	CHELTON 16-22-406	1
1	591-0333	-	LABEL, 16-22-406 ANTENNA	1

ARTEX AIRCRAFT SUPPLIES, INC.
14405 KEIL ROAD NE, AURORA, OR. 97002

SCALE: NONE	APPROVED BY: <i>[Signature]</i>	REVISED BY: RB
ORG. DR. BY: RRJ		REV. DATE: 03-07-05
ORG. DATE: 05-14-98		
ANTENNA, TRI-BAND BLADE, WHITE		
SIZE: B	SHEET 1 OF 1	DRAWING NUMBER: 110-333
		REV. -