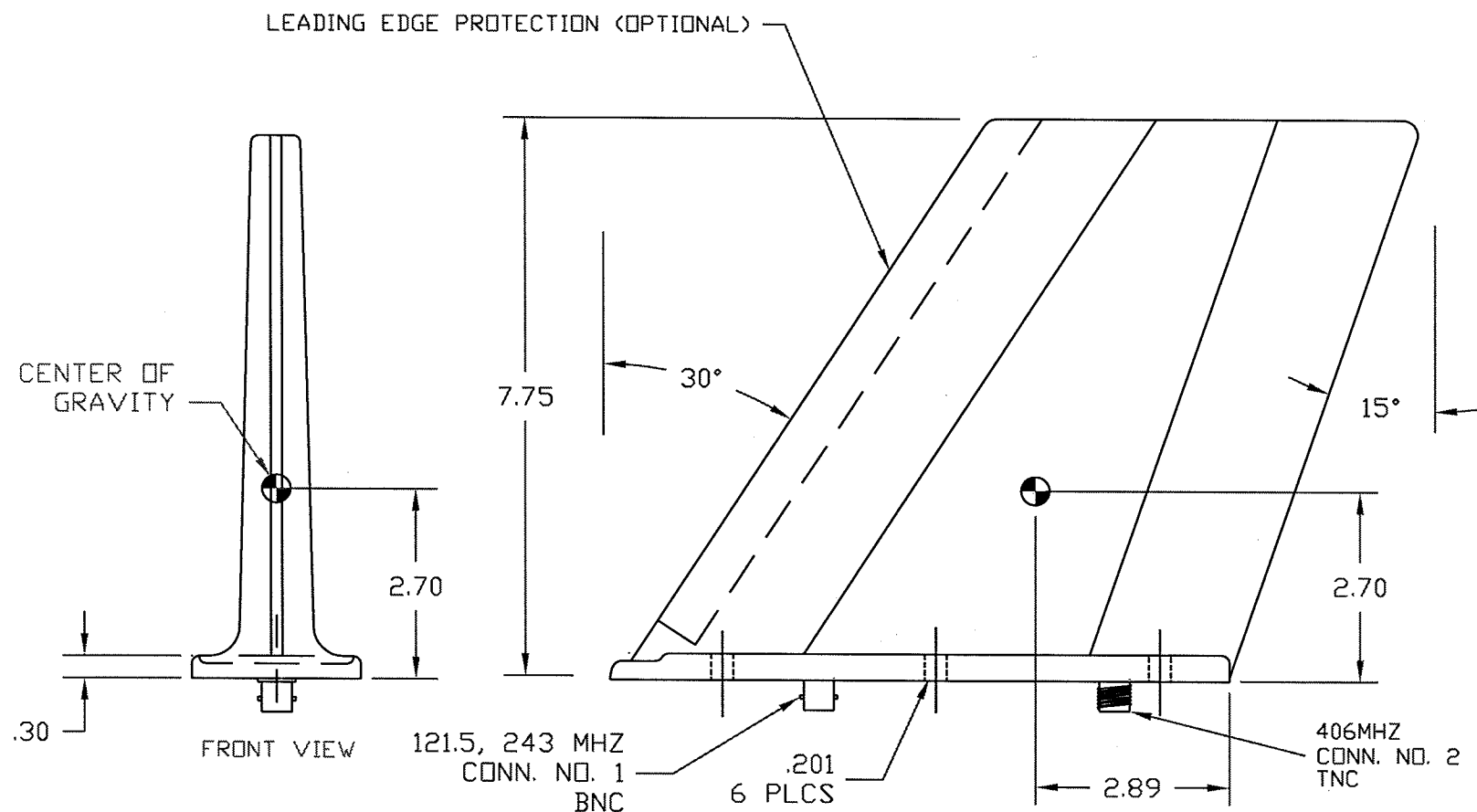


DATE	SYM	REVISION RECORD	AUTH	DR	CK
06-16-00	A	ECD 1415, 1456	DQ	LF	RJ
08-26-03	A	DCN 2262	DQ	CL	DF
03-07-05	A	DCN 2551		<i>LD MS</i>	<i>DE</i>

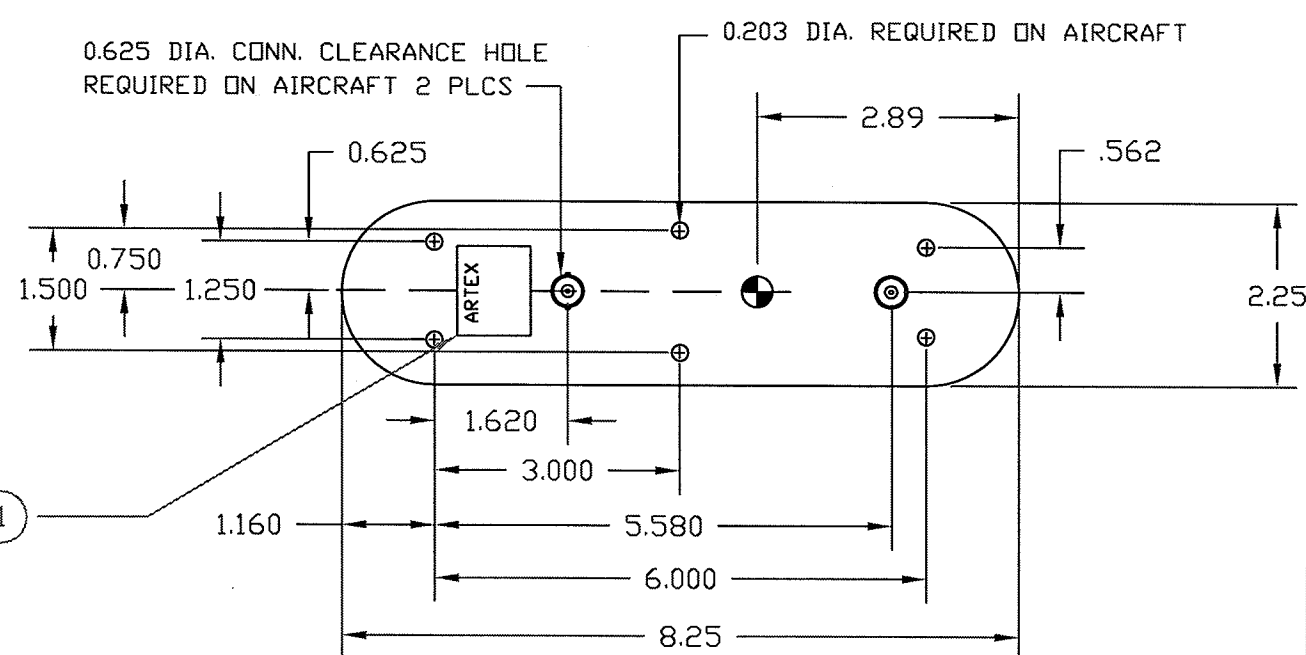


NOTES:

- WEIGHT: 1.3 LBS.
- FINISH: WHITE POLYURETHANE PAINT.
- FREQUENCIES: 121.5MHz, 243.0MHz AND 406MHz
- NOMINAL IMPEDANCE: 50 OHMS
- POLARIZATION: VERTICAL
- RADIATION PATTERN: OMNIDIRECTIONAL
- VSWR: 2.0:1 MAX @ 121.5/243.0 MHz
1.5:1 MAX @ 406 MHz
- MATING CONNECTOR: BNC AND TNC
- MAXIMUM AIR SPEED: 600 KNOTS TAS @ 25,000 FT.
- RF POWER: 50 WATTS (MAX).
- TEMPERATURE SPECIFICATIONS:
STORAGE: -55°C TO +85°C
OPERATING: -20°C TO +55°C
- ANTENNA SIDE LOAD STRENGTH: 8 LBS./SQ IN.
- PLACE LABEL (ITEM 1) OVER MANUFACTURER'S LABEL.

INSTALLATION NOTES:

- MOUNT ANTENNA USING #10-32 SS MACHINE SCREWS AND ASSOCIATED HARDWARE AND TORQUE TO 20 IN/LBS.
- PROVIDE A 5/8" (.625") DIAMETER HOLE FOR THE BNC CONNECTOR.
- PROVIDE A 5/8" (.625") DIAMETER HOLE FOR THE TNC CONNECTOR.
- A LAYER OF ANTI-CORROSION BONDING GREASE SHOULD BE APPLIED BETWEEN THE AIRCRAFT AND THE BASE OF THE ANTENNA.
- THIS ANTENNA IS BONDED BY THE BASE PLATE BONDING RATHER THAN THRU THE MOUNTING SCREWS AS SOME OTHER ANTENNAS.
- GASKET IS NOT SUPPLIED AND USE IS OPTIONAL. CONTACT ARTEX AND REQUEST PART #280-0340 IF ONE IS DESIRED.



TOLERANCE TABLE	
UNLESS OTHERWISE SPECIFIED	.XX ±.03
	.XXX ±.010
	.XXXX ±.0050
	XX' ±1"
UNLESS OTHERWISE SPECIFIED DIMENSIONS ARE IN INCHES & PER ASME Y14.5M	

REVISION HISTORY ON SHEET 1

PROPRIETARY INFORMATION
THIS DOCUMENT DISCLOSES SUBJECT MATTER IN WHICH ARTEX AIRCRAFT SUPPLIES, INC. HAS PROPRIETARY RIGHTS. NEITHER RECEIPT NOR POSSESSION THEREOF CONFERS OR TRANSFERS ANY RIGHT TO REPRODUCE OR DISCLOSE THE DOCUMENT, ANY PART THEREOF, ANY INFORMATION THEREIN, OR ANY PHYSICAL ARTICLE OR DEVICE, OR PRACTICE ANY METHOD OR PROCESS EXCEPT BY WRITTEN PERMISSION FROM OR WRITTEN AGREEMENT WITH ARTEX AIRCRAFT SUPPLIES, INC.

ITEM	PART NO.	REV	DESCRIPTION	QTY
2	870-1319	-	ANTENNA, 406 BLADE (3 FREQ.) CI-319	1
1	591-1319	-	LABEL	1

ARTEX AIRCRAFT SUPPLIES, INC.
14405 KEIL ROAD NE, AURORA, OR. 97002

SCALE: NONE	APPROVED BY: <i>[Signature]</i>	REVISED BY: RB
ORG. DR. BY: JP		REV. DATE: 03-07-05
ORG. DATE: 06-10-99		
ANTNA, 406 BLADE (319 DL INPT)		
SIZE B	SHEET 1 OF 1	DRAWING NUMBER: 110-337
		REV. A