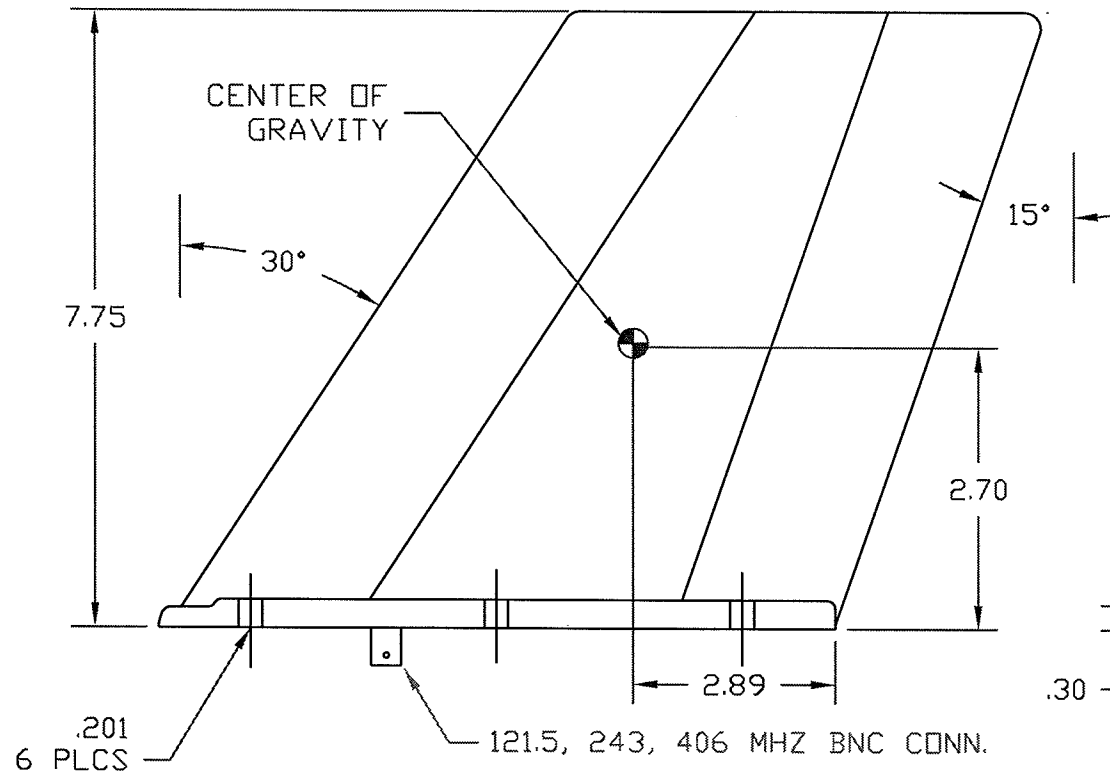
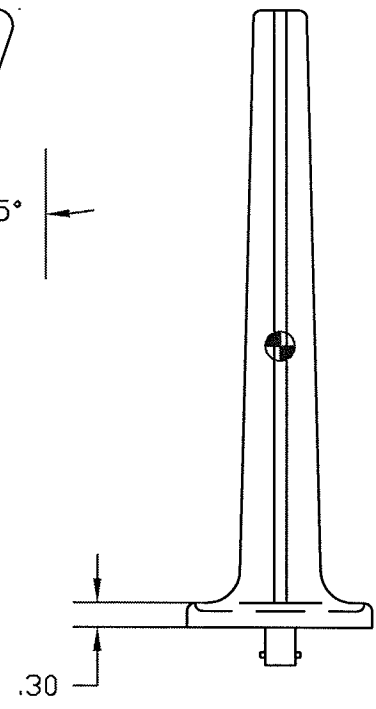


DATE	SYM	REVISION RECORD	AUTH	DR	CK
11-20-03	-	DCN 2329	DQ	RJ	CL
03-07-05	-	DCN 2551	DF	RB	DE
03-13-07	-	DCN 2691	Wm	RB	DE



SIDE VIEW



FRONT VIEW

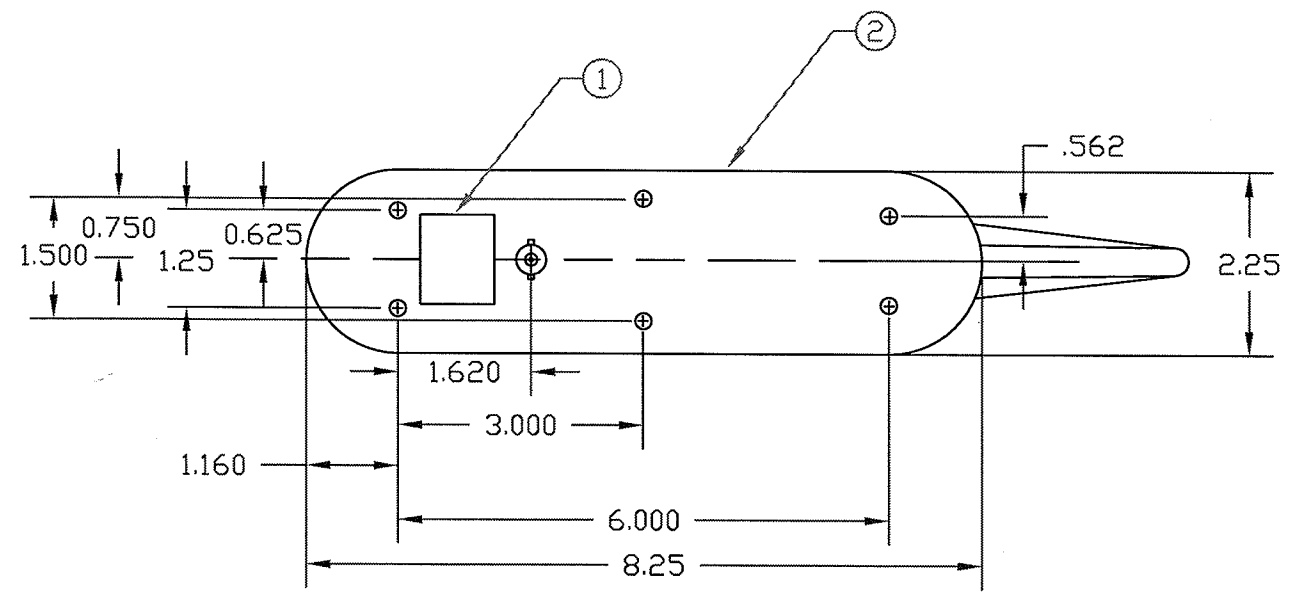
NOTES:

- WEIGHT: 1.4 LBS. MAX
- FINISH: WHITE POLYURETHANE PAINT.
- RF CHARACTERISTICS:

3.1 FREQUENCY	121.5, 243, AND 406MHZ
3.2 VSWR	2.0:1 MAX FOR 121.5/243MHZ 1.5:1 MAX FOR 406MHZ
3.3 POLARIZATION	VERTICAL
3.4 POWER RATING	50 WATTS MAX
3.5 RADIATION PATTERN	OMNIDIRECTIONAL
3.6 IMPEDANCE	50 OHMS NOMINAL
- MATING CONNECTOR: BNC(F)
- MAXIMUM AIR SPEED: 600 KNOTS TAS @ 25,000 FT.
- TEMPERATURE SPECIFICATION: STORAGE -55°C TO +85°C
OPERATING -20°C TO +55°C
- APPLY LABEL (ITEM 1) AS SHOWN.

INSTALLATION NOTES:

- MOUNT ANTENNA USING #10-32 SS MACHINE SCREWS AND ASSOCIATED HARDWARE AND TORQUE TO 20 IN/LBS. SCREW HEAD: .450Ø MAX.
- PROVIDE A .625" (5/8") DIAMETER HOLE FOR THE BNC CONNECTOR.
- THIS ANTENNA IS BONDED BY THE BASE PLATE BONDING RATHER THAN THROUGH THE MOUNTING SCREWS AS SOME OTHER ANTENNAS.
- A LAYER OF ANTI-CORROSION BONDING GREASE SHOULD BE APPLIED BETWEEN THE AIRCRAFT AND THE BASE OF THE ANTENNA.
- GASKET IS NOT SUPPLIED AND USE IS OPTIONAL. CONTACT ARTEX AND REQUEST PART #280-0340 IF ONE IS DESIRED.



BOTTOM VIEW

ITEM	PART NO.	REV	DESCRIPTION	QTY
2	870-3137	-	ANTENNA, TRI-BAND BLADE (CI319-1)	1
1	591-3137	-	LABEL, ANTENNA TRI-BAND BLADE (CI319-1)	1

ARTEX AIRCRAFT SUPPLIES, INC.
14405 KEIL ROAD NE, AURORA, OR. 97002

SCALE: NONE
ORG. DR. BY: LF
ORG. DATE: 04-18-03
APPROVED BY: *Wendell Nurney*
REVISED BY: RB
REV. DATE: 03-13-07

ANT TR-BND CI319-1 (SGL INPT)

SIZE: **B** SHEET 1 OF 1
DRAWING NUMBER: 110-340
REV: -

TOLERANCE TABLE	
UNLESS OTHERWISE SPECIFIED	.XX ±.03
TOLERANCES ARE:	.XXX ±.010
	.XXX ±.0050
	XX* ±1*
UNLESS OTHERWISE SPECIFIED DIMENSIONS ARE IN INCHES & PER ASME Y14.5M	

REVISION HISTORY ON SHEET 1
PROPRIETARY INFORMATION
THIS DOCUMENT DISCLOSES SUBJECT MATTER IN WHICH ARTEX AIRCRAFT SUPPLIES, INC. HAS PROPRIETARY RIGHTS. NEITHER RECEIPT NOR POSSESSION THEREOF CONFERS OR TRANSFERS ANY RIGHT TO REPRODUCE OR DISCLOSE THE DOCUMENT, ANY PART THEREOF, ANY INFORMATION THEREIN, OR ANY PHYSICAL ARTICLE OR DEVICE, OR PRACTICE ANY METHOD OR PROCESS EXCEPT BY WRITTEN PERMISSION FROM OR WRITTEN AGREEMENT WITH ARTEX AIRCRAFT SUPPLIES, INC.