

**PROPRIETARY NOTICE:** This document contains proprietary information of ATC Inc. neither this document nor said proprietary information shall be published, reproduced, copied, disclosed or used for any purpose other than contemplation of this document without the express written permission of a duly authorized representative of said Company.

REVISIONS			
LT#	DESCRIPTION	EFFECTIVITY	DATE
B	SEE ECO	ECO# 2645	04/21/96

NOTES: UNLESS OTHERWISE SPECIFIED.

**SPECIFICATION:**

FREQUENCY: 1575 ±5 MHz  
 POLARIZATION: RIGHT HAND CIRCULAR  
 AXIAL RATIO: 3 dB MAX  
 RADIATION COVERAGE: 4.0 dBic  $\theta = 0^\circ$   
 -1.0 dBic  $0^\circ < \theta < 75^\circ$   
 -2.5 dBic  $75^\circ \leq \theta < 80^\circ$   
 -4.5 dBic  $80^\circ \leq \theta < 85^\circ$   
 -7.5 dBic  $\theta = 90^\circ$

AMPLIFIER:  
 GAIN: SPECIFY  
 NOISE FIGURE: 2.5 dB MAX  
 IMPEDANCE: 50 OHMS  
 VSWR: ≤2.0:1  
 BAND REJECTION: 35 dB  
 POWER HANDLING: 1 WATT

FINISH: WEATHERABLE POLYMER  
 CONNECTOR: SPECIFY  
 WEIGHT: 4 OZ  
 ALTITUDE: 20,000'  
 OPERATING TEMP: -40°C TO +70°C  
 DESIGNED TO: 00-160C

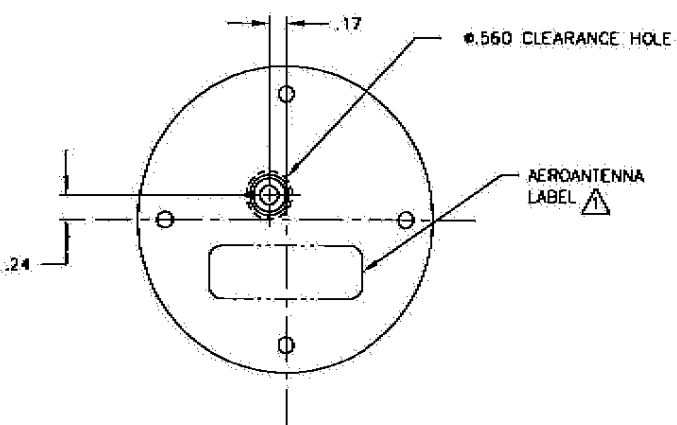
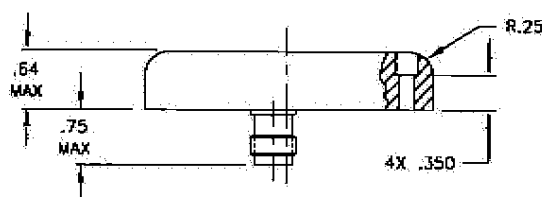
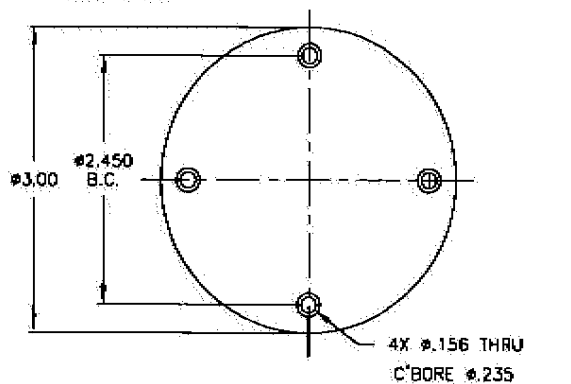
**PART NO. DESIGNATION:**

AT575-97X-XXXX-XXX-XX-XX-XX

- COLOR
  - W = WHITE
  - B = BLACK
  - O = OLIVE DRAB
- CONNECTOR
  - \* TNCM = TNC MALE
  - \* TNCF = TNC FEMALE
  - \* BNCM = BNC MALE
  - \* BNCF = BNC FEMALE
  - \* MCXM = MCX MALE
  - \* MCF = MCX FEMALE
  - \* SMAM = SMA MALE
  - \* SMAF = SMA FEMALE
  - \* NTPM = N TYPE MALE
  - \* NTPF = N TYPE FEMALE
  - \* ODDO = NO TERMINATION
- CABLE LENGTH
  - \* ODD = IN INCHES
- MAGNET
  - NM = NO MAGNET
  - \* IM = INTERNAL
  - \* RM = REMOVABLE
  - \* HD = HEAVY DUTY
- GAIN (± 2 dB)
  - 00 = PASSIVE
  - 12 = 12 dB (20 mA)
  - 26 = 26 dB (35 mA)
  - \* 36 = 36 dB (50 mA)
  - XX = OTHER
- VOLTAGE
  - 00 = PASSIVE
  - 05 = 5 VDC
  - \* RG = 5-18 VDC
  - XX = OTHER

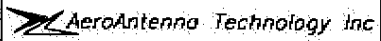
\* = OPTION NOT AVAILABLE WITH THIS MODEL

STANDARD MODEL = AT575-970-TNCF-000-05-26-NM



1. LABEL SIZE SHAPE AND CONTENTS SUBJECT TO CHANGE WITHOUT NOTICE.  
 2. TOLERANCES: .XX ± .03  
 .XXX ± .010

CODE	DESCRIPTION	QUANTITY	UNIT
LIST OF MATERIALS			
DRW	BY M. AGUILAR	010886	
CHKD			
PROJ			
ENGR			
D.A.			
APP'D			
UNLESS OTHERWISE SPECIFIED			
DO NOT SCALE DRAWING TOLERANCES			
DIMENSIONS ARE IN INCHES UNLESS OTHERWISE SPECIFIED			
DATE	CAGE CODE	DRAWING NO.	REV.
B	00VVG2	AT575-97	B
APPLICATION		SCALE NONE	SHEET 1 OF 1



GPS ANTENNA

AT575-97

C

B

A