



6.8 **Low Profile Antenna**

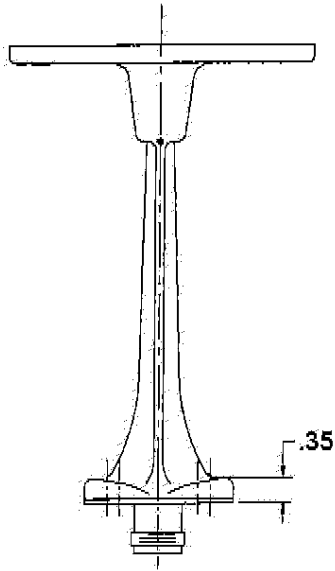


Figure 6.24 Low Profile Antenna (Head On View)

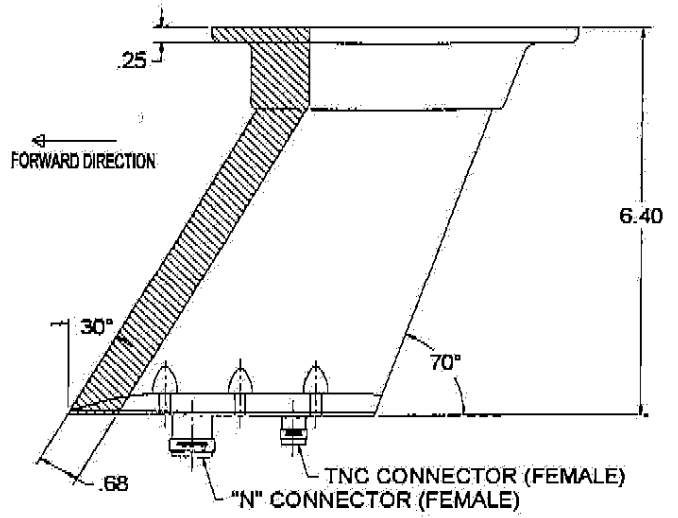


Figure 6.25 Low Profile Antenna (Side View)

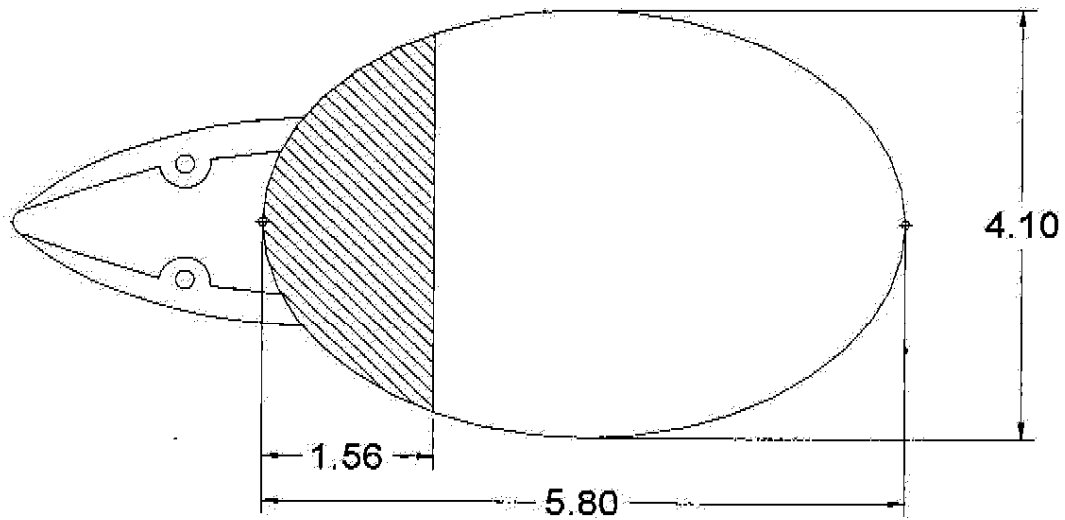


Figure 6.26 Low Profile Antenna (Top View)



Installation Manual
 AGT.02
 Air / Ground Telephone Systems

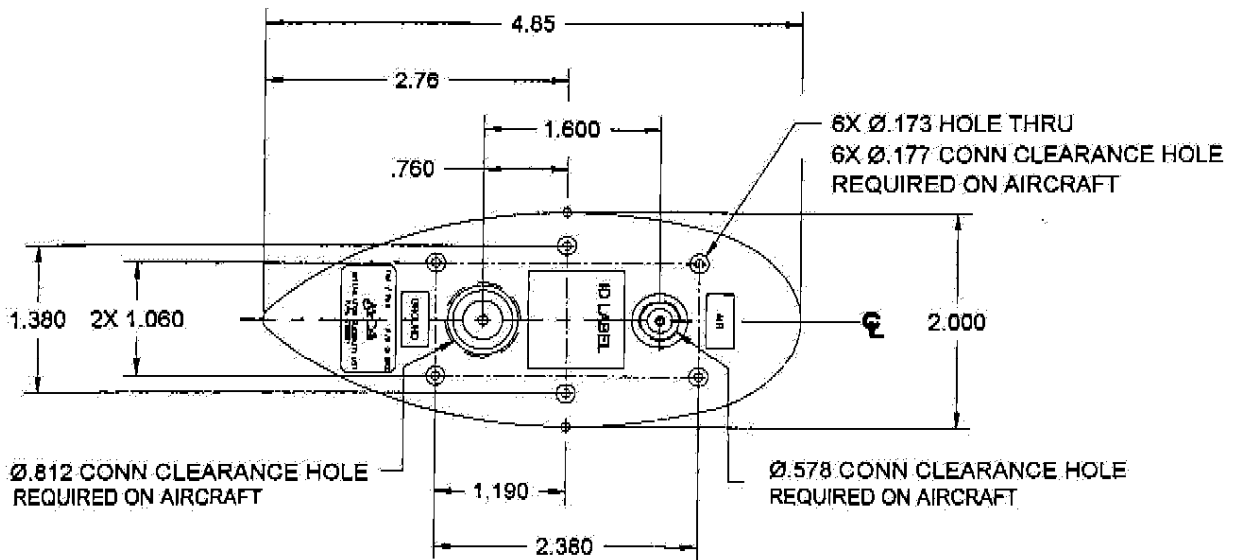


Figure 6.27 Low Profile Antenna Mounting Interface

Notes:

	Air Mode	Ground Mode
Frequency	824-894 MHz	824-894 MHz
Impedance	50 Ohms	50 Ohms
VSWR	2.5:1 MAX	2.5:1 MAX
Polarization	Horizontal	Vertical
Power Handling	≤ 1 Watt CW	≤ 5 Watt CW
Airspeed Rating:	555 knots IAS @ 10,000 ft ASL	
Weight	≤ 1.1 lbs	