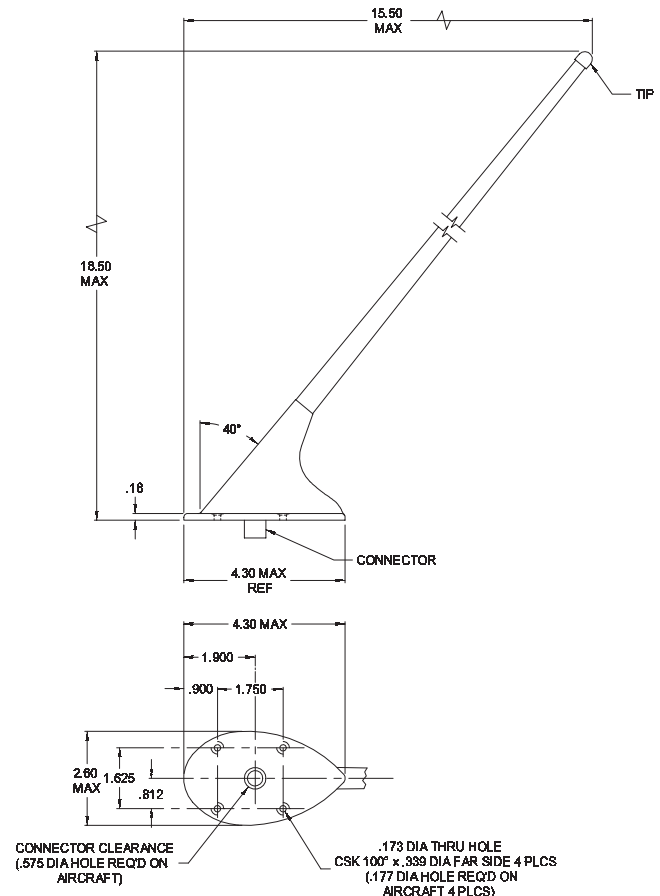


Frequency • 118-137 MHz

Similar to the CI 109, the CI 121 is smaller in diameter and lighter at only 0.5 pounds. Features a tapered glass laminate housing and die-cast aluminum base. Offers standard mounting and appearance to many Cessna communication antennas. The CI 121 has been re-tested and upgraded to the new RTCA DO-160D environmental requirements and offers the 118 to 137 MHz frequency associated with DO-186A MOPS.



MODEL	CI 121 VHF Antenna
Electrical	
Frequency	118 - 137 MHz
VSWR	2.5:1 Maximum
Polarization	Vertical
Radiation Pattern	Omnidirectional
Impedance	50 Ohms
Power	50 Watts
Mechanical	
Weight	0.5 lbs. Maximum
Height	18.50 in. Maximum
Material	Cast housing / Fiberglass whip
Finish	Polyurethane Enamel
Connector	BNC (female)
Environmental	
Temperature	-55°C to +85°C
Altitude	50,000 ft
Air Speed	250 Knots TAS
Federal Specifications	
RTCA Environmental	DO-160D
Environmental Category	[D2X]ACB[R(C,C1)U(F,F1)] XWFDXSXXXX[XX]X[XXXX]XAX
FAA TSO	C37d, C38d
RTCA MOPS	DO-186A
ORDER OPTIONS	
Connector	
BNC	Standard
Color	
White	Standard
Gasket	
	C12607-3 Cork Neoprene



Warning: Drawing not to scale. Use factory supplied drawings and specifications for installation. Call Comant for updated drawings.
©2004 Comant Industries Inc. Patented. Other Patents Pending