

**Frequency • 2332.5 - 2345.0 MHz XM® WX
118-137 MHz VHF**

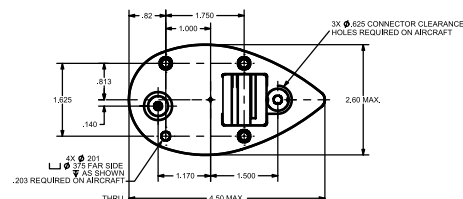
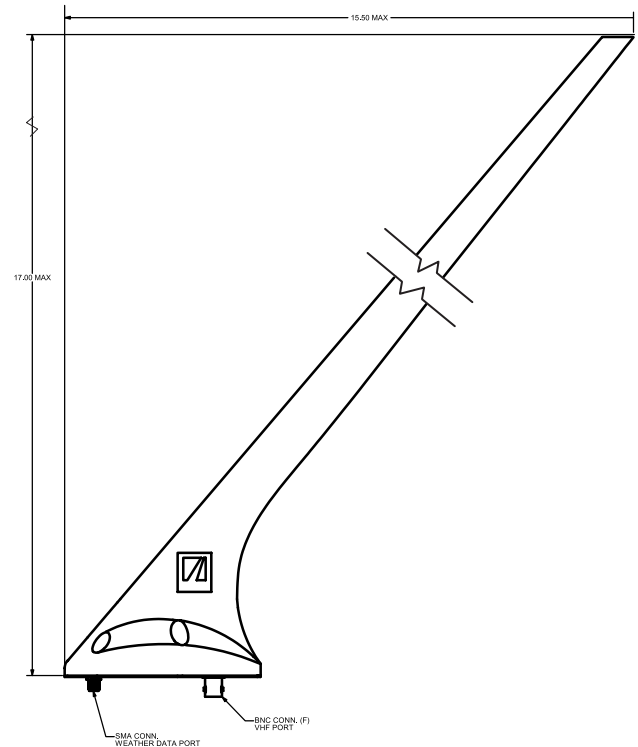
The CI 2480-206 is the first ComDat to provide VHF and XM® Weather Data in a single, combined antenna. Patented design offers XM® approved performance for popular WX systems from Garmin® and Avidyne®.

Built-in 80 dB low pass filter protects both GPS and XM® antennas against unwanted VHF interference.

Helicopter rated, this model has been tested under the toughest RTCA DO-160D environmental conditions.



MODEL		CI 2480-206 VHF/XM Combination
VHF Specification		
Frequency		118 - 137 MHz
VSWR		2.5:1 Maximum
Polarization		Vertical
Radiation Pattern		Omnidirectional
Impedance		50 Ohms
Power Rating		50 Watts
XM WX Specification		
Active & Passive Characteristics		
Frequency		2332.5 to 2345.0 MHz
VSWR		1.5:1 Maximum
Polarization		LHCP
Radiation Pattern		Hemispherical
Impedance		50 Ohms Output (Nominal)
Gain - Passive		4 dBic +/- 1dB Nominal - Zenith
Active Amplifier Characteristics		
Gain - Active		30 to 34 dB
DC Voltage		4 to 24 VDC
DC Current		25 mA (Minimum) / 55 mA (Maximum)
Noise Figure		2.7 dB (Maximum)
Out of Band Filter Attenuation		25 dB Minimum @ FC +/- 230 MHz
Mechanical / Environmental		
Aircraft Type		Single Engine Only
RTCA Environmental Testing		DO-160D
Environmental Category		[F2X]ACB[S(L)U(F,F1)T(C,C1,R)] XRFDXSXXXXX[XX][XXXXX]XCA
FAA TSO		C37d, C38d
RTCA MOPS		DO-186A
ORDER OPTIONS		
Connector		
BNC		VHF Port
SMA		XM WX Port
Color / Gasket		
White		Standard
Gasket		C248006-2 Cork



Warning: Drawing not to scale. Use factory supplied drawings and specifications for installation. Call Comant for updated drawings.
© 2004 Comant Industries Inc. Patented. Other Patents Pending