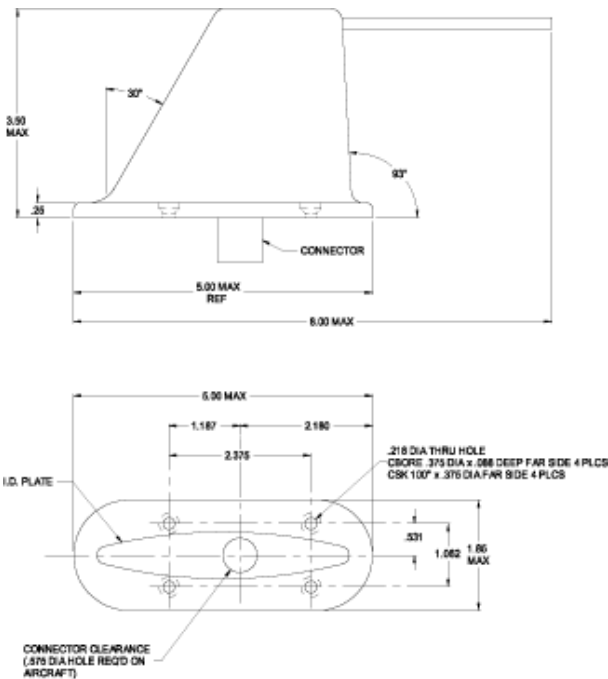


UHF Radiotelephone CI 275 Series

[Back to the Products Page](#)


Frequency • 406-512 MHz

Wide band UHF antenna designed for high-performance aircraft over the full frequency range of 406-512 MHz. Low profile, blade-type antenna is encased in a low drag, low weight molded body to ensure high reliability. The CI 275 comes standard with BNC connector. Other connectors available. See order options chart.



Warning: Drawing not to scale. Use factory supplied drawings and specifications for installation. Call Comant for updated drawings.
©2002 Comant Industries Inc.

MODEL	CI 275 Series UHF Antenna
Electrical	
Frequency	406 to 512 MHz
VSWR	2.0:1 Maximum
Polarization	Vertical
Radiation Pattern	Equivalent of $\lambda / 4$ Stub
Impedance	50 Ohms
Power RF	50 Watts Average
Mechanical	
Weight	0.5 lb. Maximum
Height	3.5 in. Maximum
Material	Lexan Housing
Finish	Polyurethane Enamel
Connector	BNC (female)
Environmental	
Temperature	-55°C to +70°C
Altitude	50,000 ft.
Air Speed	600 Knots TAS @ 25,000 ft.
ORDER OPTIONS	
Connector	
BNC	CI 275
TNC	CI 275-2
C	CI 275-3
N	CI 275-5
Color	
White	Standard

Click here for a printable .pdf.

