

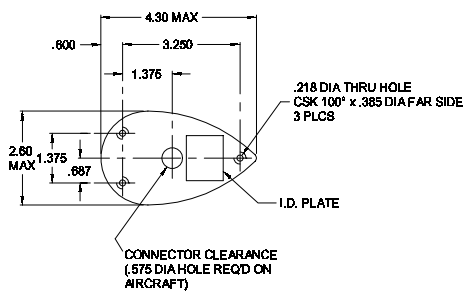
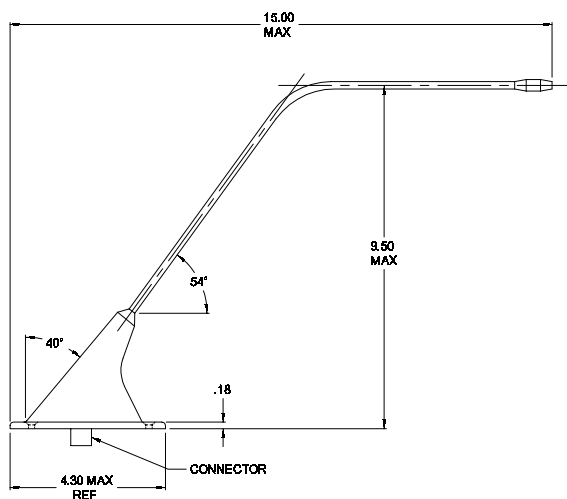
# FM/2 Meter Extended Band • CI 292-3 Comant

THE ANTENNA COMPANY



## Frequency • 138-174 MHz

Designed to provide 2.5:1 VSWR or better over a bandwidth of 138-174 MHz. Features a high-strength die-cast 3-hole aluminum base. Radiating element is a bent-whip tapered stainless steel rod suitable for bottom mounting. The CI 292-3 has been re-tested and upgraded to the new RTCA DO-160D environmental requirements.



### MODEL CI 292-3 FM Extended Band Bent Whip

| Electrical             |  |
|------------------------|--|
| Frequency              | 138 - 174 MHz  |
| VSWR                   | 2.5:1 Maximum  |
| Polarization           | Vertical   |
| Radiation Pattern      | Omnidirectional                                      |
| Impedance              | 50 Ohms Nominal                                      |
| Power RF               | 50 Watts   |
| Mechanical             |  |
| Weight                 | 0.5 lb. Maximum                                      |
| Height                 | 9.50 in. Maximum                                     |
| Material               | Die cast housing / Stainless steel whip              |
| Finish                 | Polyurethane Enamel                                  |
| Connector              | BNC (female)   |
| Environmental          |  |
| Temperature            | -55°C to +70°C                                       |
| Altitude               | 50,000 ft.   |
| Air Speed              | 250 Knots TAS @ 25,000 ft.                           |
| Federal Specifications |  |
| RTCA Environmental     | DO-160D  |
| Environmental Category | [D2X]ACB[R(C,C1)U(F,F1)]<br>XWFDXSXXXX[XX]X[XXXX]XAX |
| FAA TSO                | C37d, C38d   |
| RTCA MOPS              | DO-186A  |
| ORDER OPTIONS          |  |
| Connector              |  |
| BNC                    | Standard   |
| Color                  |  |
| White                  | Standard   |
| Gasket                 |  |
|                        | B29205   |

**Warning:** Drawing not to scale. Use factory supplied drawings and specifications for installation. Call Comant for updated drawings.  
©2002 Comant Industries Inc.