



# ComDat GPS/XM • CI 420-10

## Frequencies • XM 2332.5-2345.0 /25.0 dB Gain

Comant's ComDat® XM Weather antenna designed for Garmin GDL 69/69A receivers and Heads Up Technologies (HUT) receivers with short coaxial cable runs. Feature robust TNC female connector.

Conforms to the popular teardrop footprint standard on many general aviation aircraft and business jets.

ComDat® Saves Time / Saves Space / Saves Money!



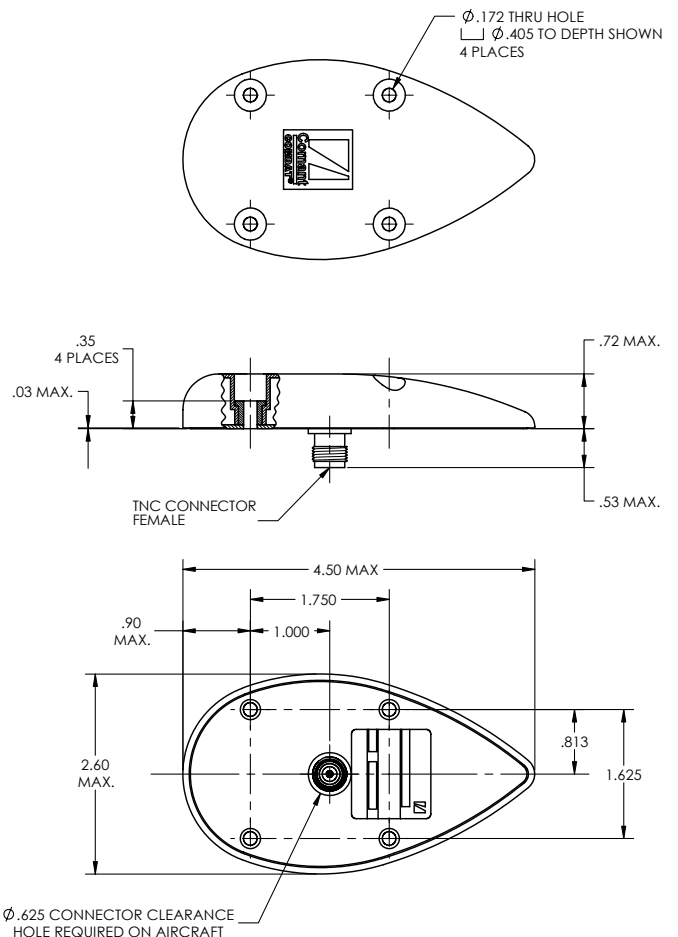
### MODEL - CI 420-10

#### XM Weather Data Specifications

Frequency	2332.5-2345.0 MHz
VSWR	1.5:1 Maximum
Polarization	LHCP
Radiation Pattern	Hemispherical
Impedance	50 Ohms
Gain	25 +/- 2 dB
DC Voltage	3.6-24 Volts
DC Current Min/Max	35mA / 55 mA
Noise Figure	2.7 dB Maximum

#### Mechanical / Environmental

Weight	4.2 Ounces
RTCA Environmental	DO 160D
Connector	XM - TNC (Female)



**Warning:** Drawing not to scale. Use factory supplied drawings and specifications for installation. Refer to FAA AC 43.13-2A for installation guidelines. © 2007 Comant Industries, Inc. Patented. Other Patents Pending.