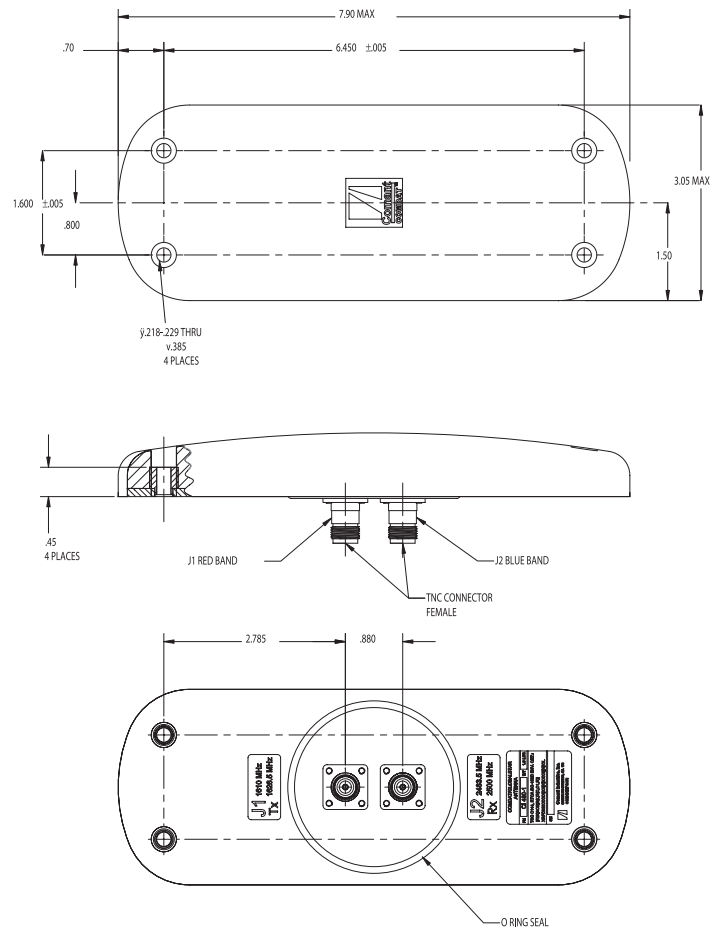


Frequency • J1 TX 1610 - 1626.5 MHz
J2 RX 2483.5 - 2500 MHz

Dual-band active antenna operates at Globalstar™ Frequencies, with continuous TX coverage from 1610 to 1626.5 MHz and RX band from 2483.5 to 2500 MHz. Receive side features a 29 dB gain amplifier with high-performance filtration and a built-in voltage regulator for DC bias operation of +3.3 to +28 vdc. The ComDat™ CI 480-1 is standard equipment with Northern Airborne Technology's STX100 Airborne Satellite Communication System™, capable of both voice and data operations. Learn more about this system at www.northernairborne.com



MODEL		CI 480-1 ComDat
RF Characteristics		
Frequency	J1 TX	1610-1626.5 MHz
	J2 RX	2483.5-2500 MHz
Polarization		LHCP
Power Handling	J1 TX	60 Watts
	J2 RX	1 Watt
Radiation Pattern		Hemispherical
Impedance		50 Ohms
Gain		$\leq 3.0\text{ dB}$ @ Zenith
Lightning Protection		DC Grounded
Amplifier Characteristics		
Gain		29 dB +/- 1.5 dB
DC Voltage		+3.3 to + 28 vdc
DC Current		50 mA Maximum
Noise Figure		2.5 dB Maximum
Mechanical		
Weight		1.0 Lb.
Height		0.95 In. Maximum
Finish		Gloss White Enamel
Connector		TNC Female (2)
Environmental		
Temperature / Altitude		-55C to + 85C / 55,000 Ft.
Air Speed		600 Kts. @ 55,000 Ft.
Federal Specifications		
RTCA Environmental		DO-160D
Environmental Cat.		[F2X]ACB[S(L)T(C,C1,R)] XRFDXSXXXXX[XX]X[XXXXX][X]XX
FAATSO		C144
RTCAMOPS		DO-228



Warning: Drawing not to scale. Use factory supplied drawings and specifications for installation. Call Comant for updated drawings.
 ©2004 Comant Industries Inc. Patented. Other Patents Pending