

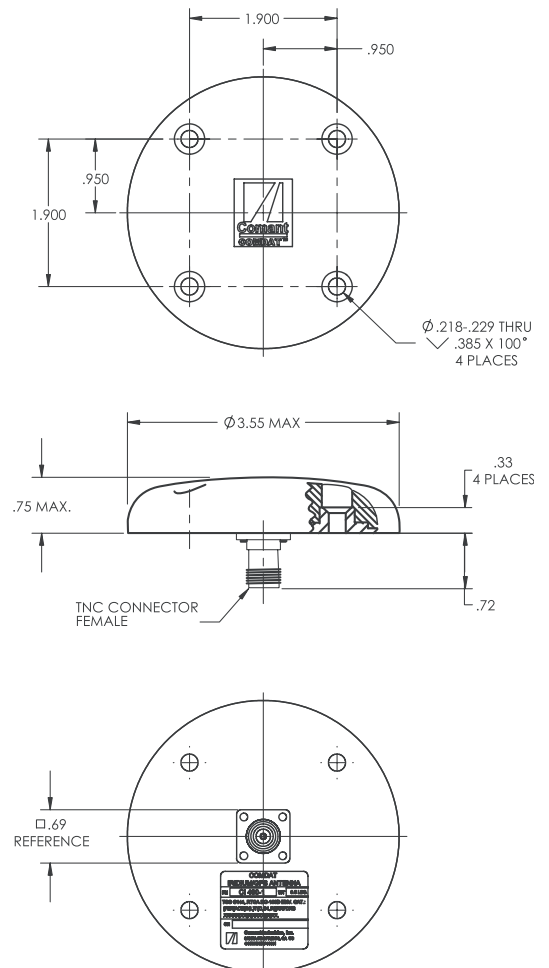
**Frequency • Iridium 1616 - 1626.5 MHz**  
**GPS 1575 +/- 10 MHz**

Dual-band passive antenna operates at Iridium frequencies, with continuous transmit and receive coverage from 1616 to 1626.5 MHz. Can also operate as a passive GPS antenna. The ComDat CI 490-1 is a high performance communications antenna specifically designed for Iridium™ systems, and features our standard round-format footprint and mounting.

Through a constellation of 66 low-earth orbiting (LEO) satellites, Iridium™ delivers essential communications services to and from areas where terrestrial communications are not available.



MODEL	CI 490-1 ComDat®	
<b>RF Characteristics</b>		
Frequency	Iridium	1616-1626.5 MHz
	GPS	1575 +/- 10 MHz
Polarization	RHCP	
Power Handling	60 Watts	
Radiation Pattern	Hemispherical	
Impedance	50 Ohms	
Gain	<math>\leq 3.0\text{ dB @ Zenith}</math>	
Lightning Protection	DC Grounded	
<b>Mechanical</b>		
Weight	0.5 Lb.	
Height	0.75 In. Maximum	
Finish	Gloss White Enamel	
Connector	TNC Female	
<b>Environmental</b>		
Temperature / Altitude	-55C to + 85C / 55,000 Ft.	
Air Speed	600 Kts. @ 55,000 Ft.	
<b>Federal Specifications</b>		
RTCA Environmental	DO-160D	
Environmental Cat.	[F2X]ACB[T(E,E1)] XRFDXSXXXX[XX]X[XXXX]XCX	
FAATSO	C144	
RTCAMOPS	DO-228	



**Warning:** Drawing not to scale. Use factory supplied drawings and specifications for installation. Call Comant for updated drawings.  
 ©2004 Comant Industries Inc. Patented. Other Patents Pending