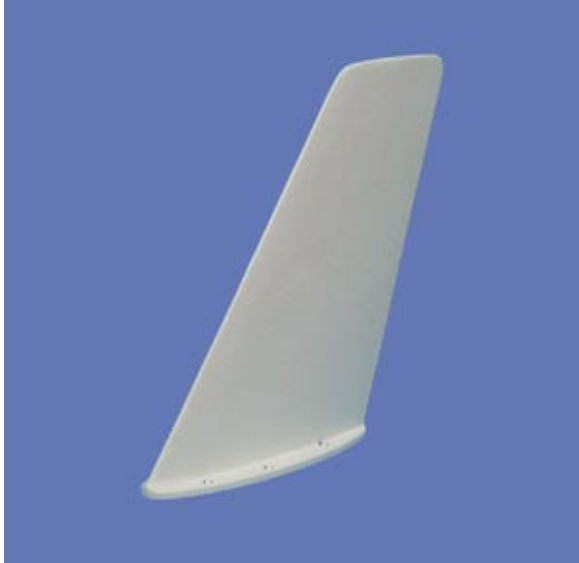


VHF/UHF S65-111-309;-310



U.S. Patent No.3,220,006

DESCRIPTION

S65-111-309: Dual frequency VHF/UHF range. All metal, DC grounded to provide lightning protection. Low drag. Extremely rugged. Provides high degree of structural rigidity and protection from rain erosion and sand/gravel abrasion. Eliminates "P" static. Hermetically sealed. Interchangeable with Collins 37R-2U.

NSN: 5985-00-892-0895

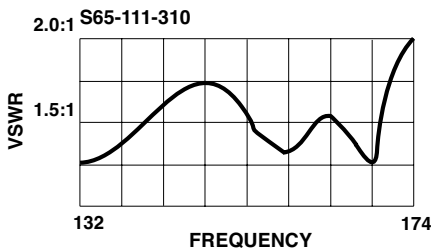
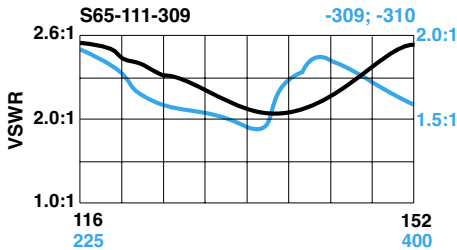
NSN: 5985-21-907-3752

NSN: 5985-01-079-8214

S65-111-310: Same as (-309) except for 132-174/225-400 MHz frequency range.

FEDERAL & MILITARY SPECS: FAA TSO C37b, C38b and C59. MIL-STD-810, MIL-E-5400, MIL-A-7772 (ASG), MIL-A-9094, MIL-B-5087.

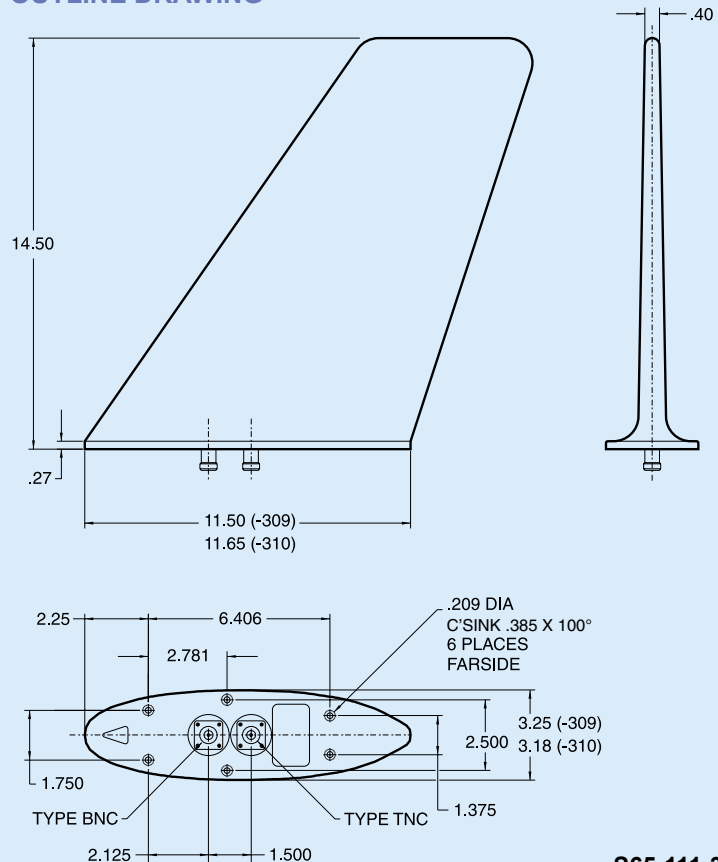
PERFORMANCE



SPECIFICATIONS

	VHF/AM	UHF	VHF/FM
	Dual Freq. S65-111-309		Dual Freq. S65-111-310
ELECTRICAL			
Frequency	116-152 MHz	225-400 MHz	132-174 MHz
VSWR	2.3:1	2.6:1	2.0:1
Pattern	Omni/Az	Omni/Az	Omni/Az
	Cos/EI	Cos/EI	Cos/EI
Polarization	Vertical	Vertical	Vertical
Impedance	50 ohms	50 ohms	50 ohms
Power	100 watts	100 watts	100 watts
Isolation	20 dB		
Lightning Protection	DC grounded		
MECHANICAL			
Weight	4.2 lbs.		
Height	14.5 in.		
Material	A356-T61 aluminum casting		
Finish	Skydrol resistant enamel		
Connector	BNC	TNC	BNC
Drag	2.5 lbs. Mach .85 @ 35,000 ft.		
ENVIRONMENTAL			
Side Load	12 psi		
Temperature	-65°F to +185°F		
Vibration	14 G's		
Altitude	60,000 ft.		

OUTLINE DRAWING



S65-111-309
S65-111-310