

E ELT S65-1231-1, S65-8282-406



DESCRIPTION

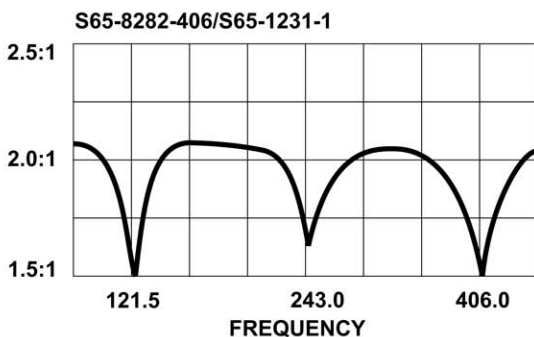
S65-1231-1: Covers frequencies of 121.5 MHz, 243.0 MHz and the new digital satellite-aided tracking frequency of 406.0 MHz. Compatible with Cospas-Sarsat and all ELT systems. Meets requirements of EUROCAE ED-62 for ELT Equipment.

One-piece aluminum casting construction, designed for high speed aircraft.

S65-8282-406: Same as S65-1231-1 except for blade height and composite construction.

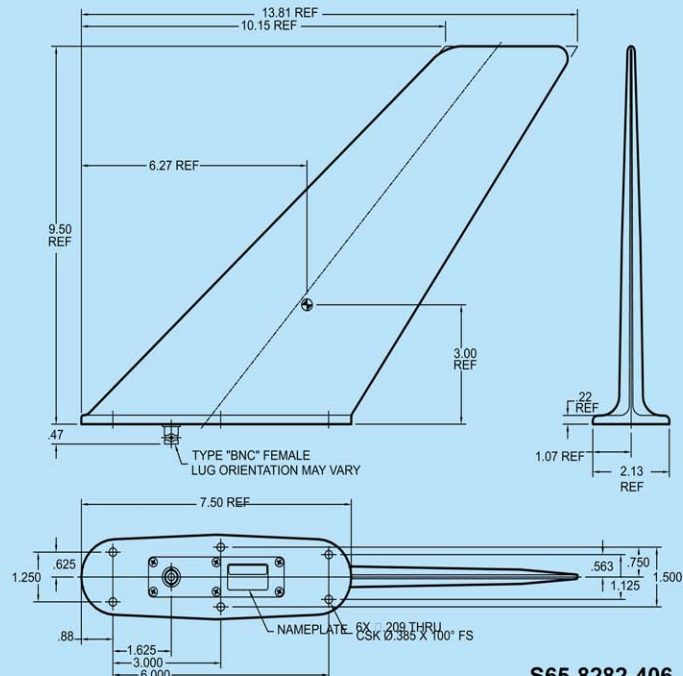
FEDERAL & MILITARY SPECS: TSO C91a, C126, DO-204, EUROCAE ED62/ED14C, MIL-A-6271, MIL-A-7772, MIL-A-9094, MIL-E-5272, MIL-E-5400, MIL-B-5087, DO-160C.

PERFORMANCE



SPECIFICATIONS		ELT		
MODELS	S65-8282-406 S65-1231-1			
ELECTRICAL				
Frequency	121.5 MHz	243.0 MHz	406.0 MHz	
VSWR	2.0:1	2.3:1	1.5:1	
Pattern	Omni/Az; Cos/EI			
Polarization	Vertical			
Impedance	50 ohms			
Power	250 mW	250 mW	5 watts	
Lightning Protection	DC grounded			
MECHANICAL				
Weight	1.6 lbs Max			
Height	9.8 in.			
Material	6061-T6 aluminum / glass			
Finish	Skydrol-resistant enamel			
Connector	BNC			
Drag	0.6 lbs. Mach .85 @ 35,000 ft.			
ENVIRONMENTAL				
Side Load	12 psi			
Temperature	-65°F to +185°F			
Vibration	10 Gs			
Altitude	70,000 ft.			

OUTLINE DRAWING



S65-8282-406
S65-1231-1



Sensor Systems, Inc.

8929 Fullbright Ave., Chatsworth, CA 91311

Ph: 818-341-5366 Fax: 818-341-9059

Email: info@SensorAntennas.com

www.SensorAntennas.com