

# L-Band S65-5366-Series



U.S. Patent No. 3,220,006

## DESCRIPTION

**S65-5366-7L:** Rugged, high-efficiency, all metal aluminum casting. DC grounded. Hermetically sealed. For use with transponder, DME, ATC, IFF, and Mode-S application. For commercial, military and general aviation aircraft.

**NSN:** 5985-01-072-8282.

**S65-5366-3L:** Same as (-7L) except for TNC connector and no O'Ring.

**NSN:** 5985-01-540-3340

**S65-5366-2L; -10L; -10LC; -11L:** Same as (-7L) except for connectors. See connector chart below.

**NSN:** 5985-01-141-6801 (-2L)

**NSN:** 5985-01-248-9438 (-10L)

**NSN:** 5985-01-195-3041 (-11L)

**NSN:** 5985-01-512-5297 (-11L Gray)

**S65-5366-66L:** Same as -7L with right angle SMA connector.

**S65-5366-8L; -116L; -119L:** Same as (-7L) except for stainless steel casting and 9 oz. weight. See connector chart. Ideal for unimproved runways.

**NSN:** 5985-01-430-4939 (-8L)

**NSN:** 5985-01-556-0820 (-116L)

**FEDERAL & MILITARY SPECS:** FAATSO C66b, C74c and C112. MIL-STD-810, MIL-E-5400, MIL-A-25708, MIL-A-25730, MIL-A-9094, MIL-B-5087, MIL-A-7772.

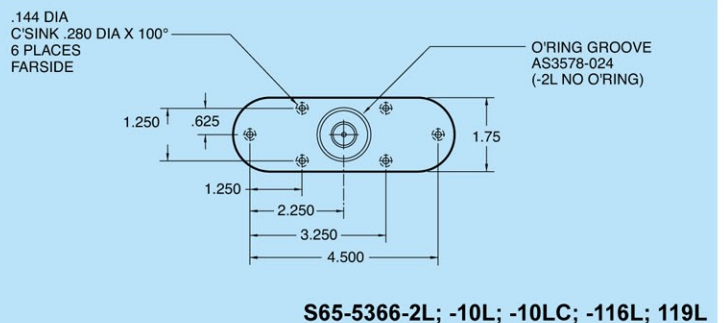
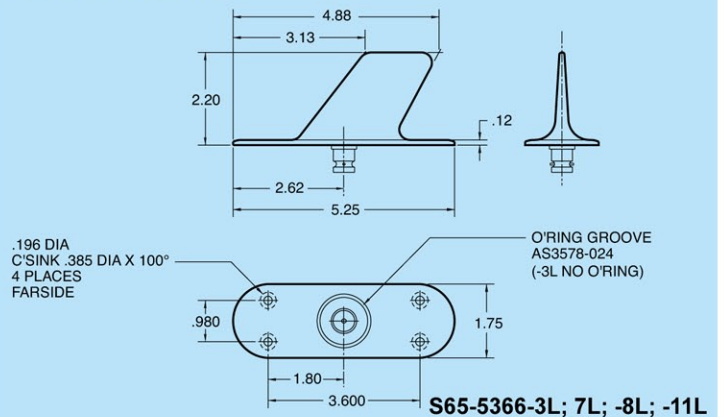
## CONNECTOR CHART

MODEL	CONNECTOR	MODEL	CONNECTOR
2L	HN	11L	N
3L	TNC	66L	SMA Rt Angle
7L	C	116L	N
8L	C	119L	N
10L	N		
10LC	C		



SPECIFICATIONS	FOR REFERENCE ONLY
<b>MODELS</b>	S65-5366-2L; S65-5366-3L; S65-5366-7L; S65-5366-8L; S65-5366-10L; S65-5366-10LC; S65-5366-11L; S65-5366-66L; S65-5366-116L; S65-5366-119L
<b>ELECTRICAL</b>	
<b>Frequency</b>	960-1220 MHz
<b>VSWR</b>	1.4:1 (1000-1100)
	1.7:1 (960-1220)
<b>Pattern</b>	Omni/Az
	Cos/EI
<b>Polarization</b>	Vertical
<b>Impedance</b>	50 ohms
<b>Power</b>	4000 w/pk 100 w/cont
<b>Lightning Protection</b>	DC grounded
<b>MECHANICAL</b>	
<b>Weight</b>	4 oz.
	9 oz. (-8L; -116L; -119L)
<b>Height</b>	2.2 in.
<b>Material</b>	A356-T61 aluminum casting
	SS casting (-8L; -116L; -119L)
<b>Finish</b>	Skydrol-resistant enamel
<b>Connector</b>	See connector chart
<b>Drag</b>	1 oz. Mach .85 @ 35,000 ft.
<b>ENVIRONMENTAL</b>	
<b>Temperature</b>	-65°F to +185°F
<b>Vibration</b>	10 Gs
<b>Altitude</b>	70,000 ft.

## OUTLINE DRAWING



**Sensor Systems, Inc.**

8929 Fullbright Ave., Chatsworth, CA 91311

Ph: 818-341-5366 Fax: 818-341-9059

Email: [info@sensorantennas.com](mailto:info@sensorantennas.com)

[www.sensorantennas.com](http://www.sensorantennas.com)