



SPECIFICATIONS

**VHF
S65-625204**

ELECTRICAL

Frequency 136-175 MHz
VSWR 2.5:1
Pattern Omni/Az
 Cos/EI
Polarization Vertical
Impedance 50 ohms
Lightning Protection DC grounded

MECHANICAL

Weight 0.8 lbs.
Height 10.10 in.
Material Al-A355-Glass
Finish Skydrol resistant enamel
Connector N/TNC
Drag9 lbs. 200 Knots sea level

ENVIRONMENTAL

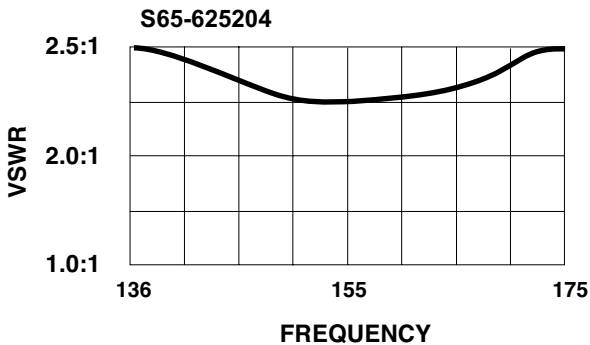
Side Load 6 psi
Temperature -65° F to +203°F
Vibration 10 G's
Altitude 60,000 ft.

DESCRIPTION

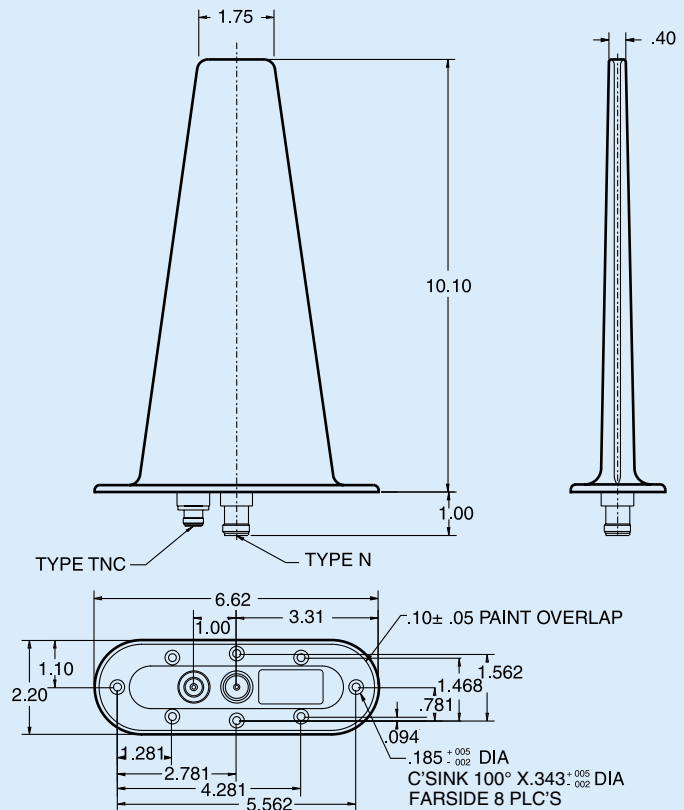
S65-625204: Aluminum cast base, D.C. grounded for lightning protection. Sonobouy antenna, frequency 136-175 MHz. Constructed to withstand high side loading with low drag. Hermetically sealed to provide long service life, with skydrol resistant gull gray epoxy finish.

FEDERAL & MILITARY SPECS: MIL-E-5400, MIL-E-

PERFORMANCE



OUTLINE DRAWING



Sensor Systems Inc.
 8929 Fullbright Avenue
 Chatsworth, CA 91311 USA
 818-341-5366 fax: 818-341-9059
 email: info@sensorantennas.com
 www.sensorantennas.com

S65-625204