

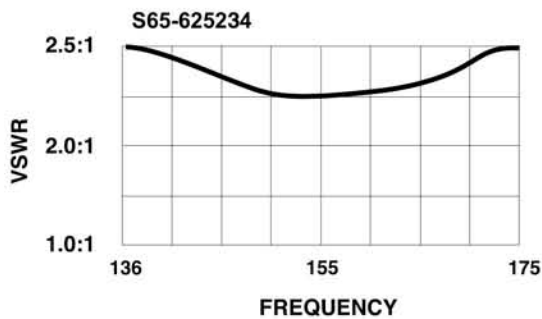


### DESCRIPTION

**S65-625234:** Aluminum cast base, D.C. grounded for lightning protection. Sonobouy antenna, frequency 136-175 MHz. Constructed to withstand high side loading with low drag. Hermetically sealed to provide long service life, with skydrol resistant gull gray epoxy finish.

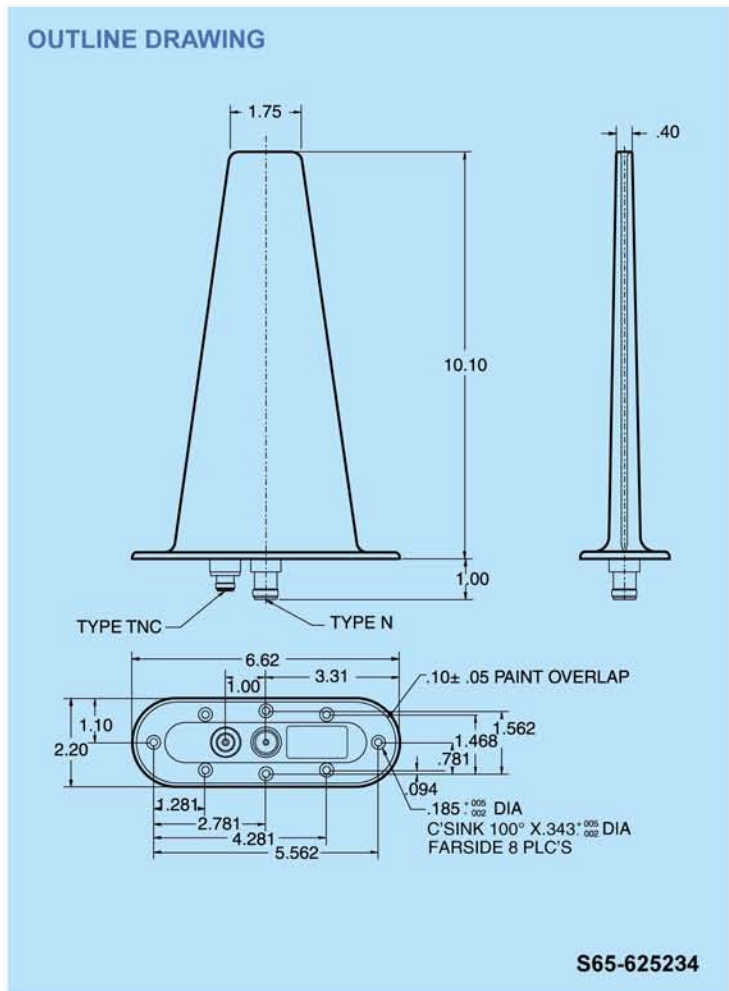
**FEDERAL & MILITARY SPECS:** MIL-E-5400, MIL-E-5272, MIL-STD-810C.

### PERFORMANCE



SPECIFICATIONS	VHF
<b>MODEL</b>	<b>S65-625234</b>
<b>ELECTRICAL</b>	
Frequency	136-175 MHz
VSWR	2.5:1
Pattern	Omni/Az Cos/EI
Bite Coupling Level	21 dB
Polarization	Vertical
Impedance	50 ohms
Lightning Protection	DC grounded
<b>MECHANICAL</b>	
Weight	0.8 lbs.
Height	10.10 in.
Material	A356-T6 Glass
Finish	Skydrol-resistant enamel
Connector	N/TNC
Drag	.9 lbs. 200 Knots sea level
<b>ENVIRONMENTAL</b>	
Side Load	6 psi
Temperature	-65° F to +160°F
Vibration	10 Gs
Altitude	60,000 ft.

### OUTLINE DRAWING



**Sensor Systems, Inc.**  
 8929 Fullbright Ave., Chatsworth, CA 91311  
 Ph: 818-341-5366 Fax: 818-341-9059  
 Email: info@SensorAntennas.com  
 www.SensorAntennas.com