



VHF/WLAN S65-8262-127

118-137 MHz / 2.2-2.5 GHz



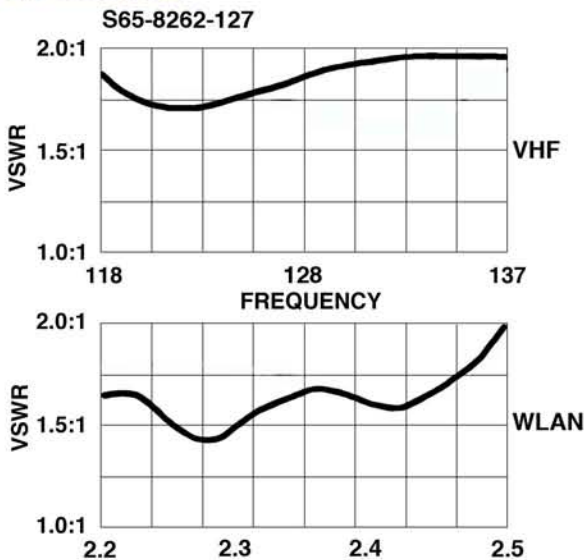
U.S. Patent No. 3,220,006

DESCRIPTION

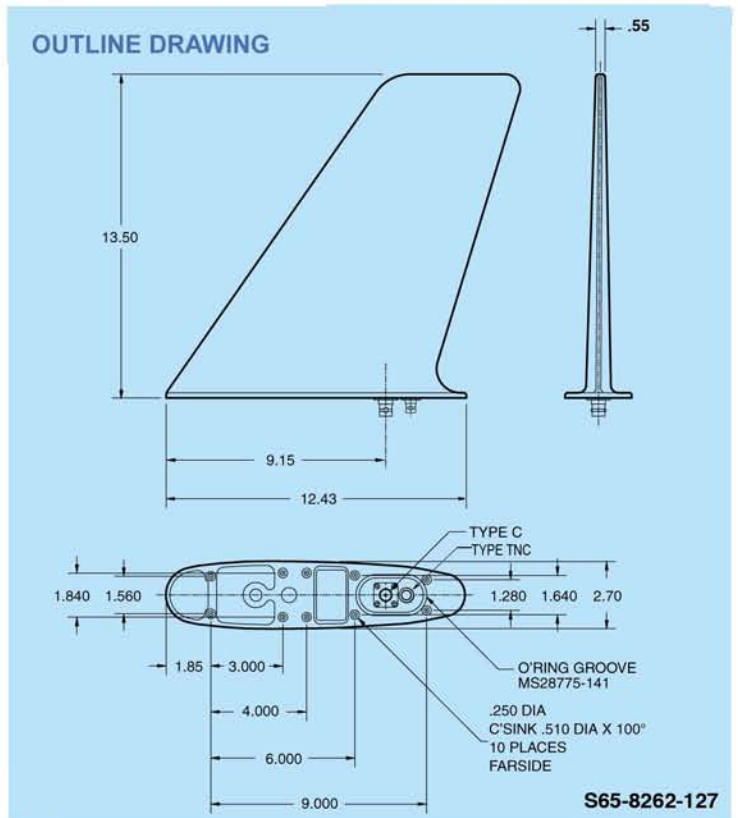
S65-8262-127: All metal VHF communications antenna combined with WLAN frequencies of 2.2 to 2.5 GHz. The WLAN section is designed for spread spectrum local area network communications utilizing IEEE 802.11 b/g. The rugged design is highly resistant to erosion and impact damage and is hermetically sealed. DC grounded to provide lightning protection and eliminate "P" static.

Federal & Military Specs: TSO-C37b & 38b, MIL-STD-810, MIL-HDBK-5400, MIL-E-5272C, MIL-A-7772B (ASG), MIL-A-6271A, MIL-A-9094C, IEEE 802.11b/g

PERFORMANCE



SPECIFICATIONS	VHF
MODEL	S65-8262-127
ELECTRICAL	
Frequency	118-137 MHz 2.2-2.5 GHz
VSWR	≤2.0:1
Pattern	Omni/Az Cos/EI
Polarization	Vertical
Impedance	50 ohms
Power	40 watts CW (VHF) 1,000 watts peak (WLAN)
Lightning Protection	DC grounded
MECHANICAL	
Weight	3.8 lbs.
Height	13.50 in.
Material	A356-T61 aluminum casting
Finish	Skydrol-resistant enamel
Connector	Type C Female (VHF) Type TNC Female (WLAN)
Drag	1.8 lbs. Mach .85 @ 35,000 ft.
ENVIRONMENTAL	
Side Load	12 psi
Temperature	-65°F to +185°F
Vibration	10 Gs
Altitude	60,000 ft.



Sensor Systems, Inc.
 8929 Fullbright Ave., Chatsworth, CA 91311
 Ph: 818-341-5366 Fax: 818-341-9059
 Email: info@SensorAntennas.com
 www.SensorAntennas.com