

# VHF S65-8280-Series



U.S. Patent No. 4,509,053

## DESCRIPTION

**S65-8280-10:** Broadband, all-metal, DC grounded to provide lightning protection. For commuter and corporate aircraft with speeds up to 600 mph. Eliminates "P" static. Hermetically sealed. Interchangeable with Collins 37R-2, VC10-126, DMC 60 and other VHF communications antennas. Color: white or lusterless black (customer option).

**NSN:** 5985-01-080-8452

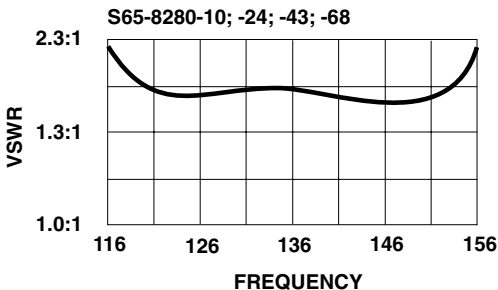
**S65-8280-24:** Same as (-10) except "C" type connector. Fokker 50/100.

**S65-8280-43:** Same as (-10) except connector location. SAAB 340 2000.

**S65-8280-68:** Same as (-10) except "N" type connector.

**FEDERAL & MILITARY SPECS:** FAA TSO C37b and C38b. MIL-STD-810, MIL-E-5400, MIL-A-6271, MIL-A-7772 (ASG), MIL-A-9094, MIL-B-5087.

## PERFORMANCE



## SPECIFICATIONS

	VHF	
	S65-8280-10 S65-8280-43 S65-8280-68	S65-8280-24
Frequency .....	116-156 MHz	116-156 MHz
VSWR .....	2.3:1	2.3:1
Pattern .....	Omni/Az	Omni/Az
	Cos/EI	Cos/EI
Polarization .....	Vertical	Vertical
Impedance .....	50 ohms	50 ohms
Power .....	100 watts	100 watts
Lightning Protection .....	DC grounded	

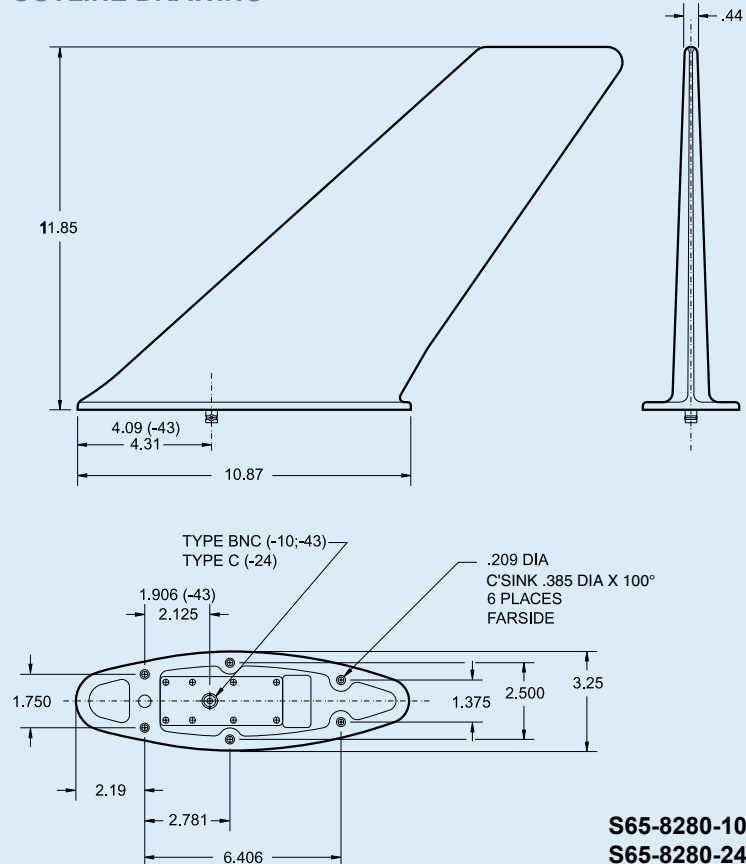
## MECHANICAL

Weight .....	2.8 lbs.
Height .....	11.85 in.
Material .....	A356-T61 aluminum casting
Finish .....	Skydrol resistant enamel
Connector .....	BNC, N (-68) C
Drag .....	1.5 lbs. Mach .85 @ 35,000 ft.

## ENVIRONMENTAL

Side Load .....	12 psi
Temperature .....	-60°F to +185°F
Vibration .....	14 G's
Altitude .....	60,000 ft.

## OUTLINE DRAWING



**S65-8280-10**  
**S65-8280-24**  
**S65-8280-43**  
**S65-8280-68**