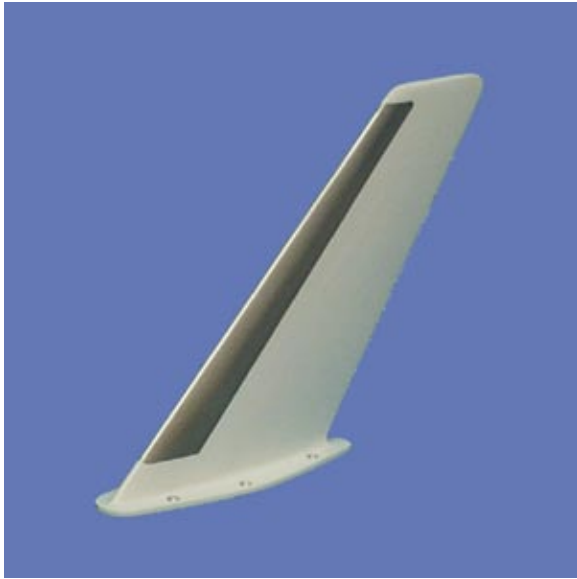


# VHF S65-8280-Series



U.S. Patent No. 4,509,053

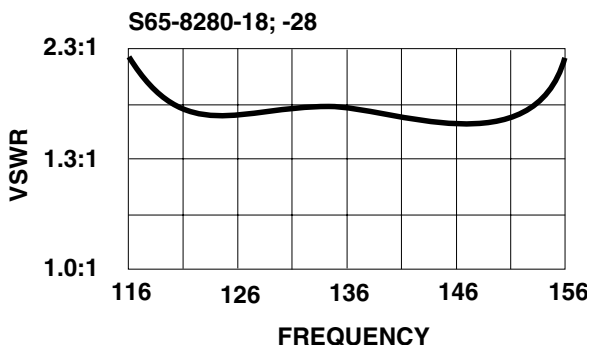
## DESCRIPTION

**S65-8280-18:** Broadband, all-metal, DC grounded to provide lightning protection. Stainless steel leading edge for gravel protection. For commuter and corporate aircraft with speeds up to 600 mph. Eliminates "P" static. Hermetically sealed. Interchangeable with Collins 37R-2, VC10-126, DMC 60 and other VHF communications antennas. Color: white or lusterless black (customer option).

**S65-8280-28:** Same as (-18) except "C" type connector. Fokker 50/100.

**FEDERAL & MILITARY SPECS:** FAA TSO C37b and C38b. MIL-STD-810, MIL-E-5400, MIL-A-6271, MIL-A-7772 (ASG), MIL-A-9094, MIL-B-5087.

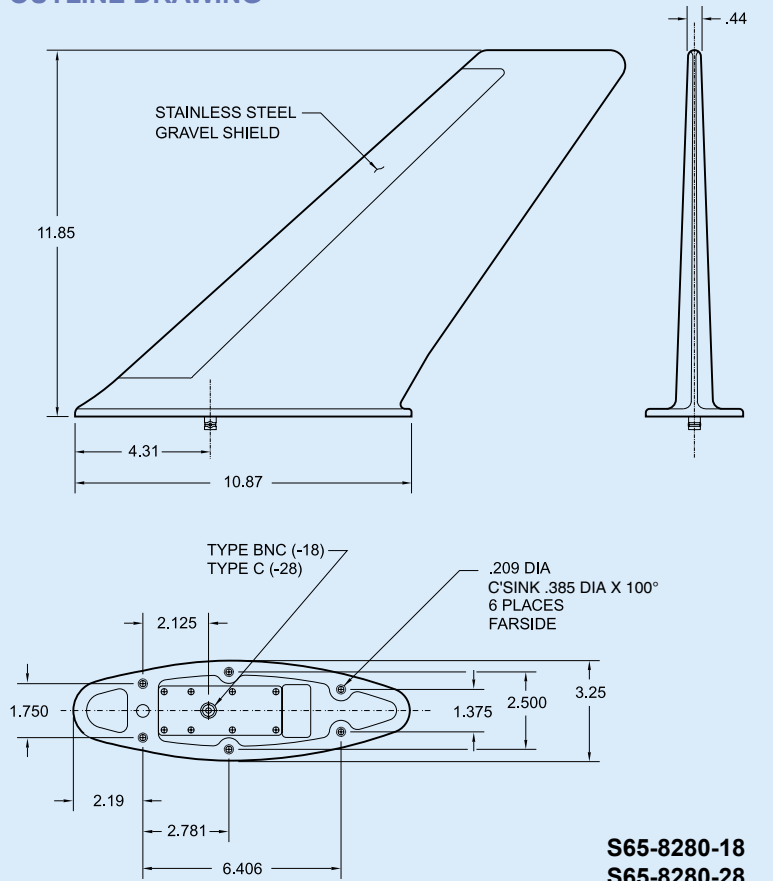
## PERFORMANCE



## SPECIFICATIONS

	VHF	
	S65-8280-18	S65-8280-28
<b>ELECTRICAL</b>		
Frequency .....	116-156 MHz	116-156 MHz
VSWR .....	2.3:1	2.3:1
Pattern .....	Omni/Az Cos/EI	Omni/Az Cos/EI
Polarization .....	Vertical	Vertical
Impedance .....	50 ohms	50 ohms
Power .....	100 watts	100 watts
Lightning Protection .....	DC grounded	
<b>MECHANICAL</b>		
Weight .....	2.8 lbs.	
Height .....	11.85 in.	
Material .....	A356-T61 aluminum casting	
Finish .....	Skydrol resistant enamel	
Connector .....	BNC	C
Drag .....	1.5 lbs. Mach .85 @ 35,000 ft.	
<b>ENVIRONMENTAL</b>		
Side Load .....	12 psi	
Temperature .....	-60°F to +185°F	
Vibration .....	14 G's	
Altitude .....	60,000 ft.	

## OUTLINE DRAWING



**S65-8280-18**  
**S65-8280-28**