

# VHF/L-Band S65-8280-3



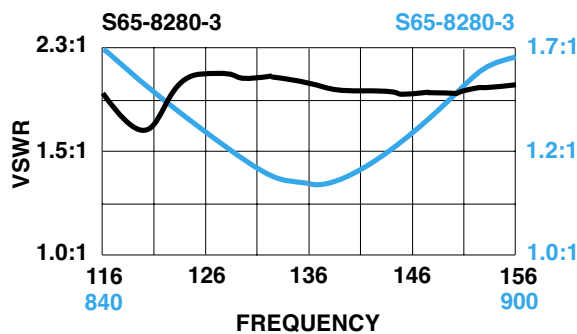
U.S. Patent No. 4,509,053  
3,220,006

## DESCRIPTION

**S65-8280-3:** All metal DC grounded to provide lightning protection. For corporate aircraft with speeds up to 600 mph. Eliminates "P" static. Hermetically sealed. The VHF/L-Band/Telephone communication antenna provides two (2) connectors covering the dual frequencies needed for VHF communications and air-phone cellular telephone systems. Eliminates the need for a separate radio telephone antenna.

**FEDERAL & MILITARY SPECS:** FAA TSO C37b and C38b. MIL-STD-810, MIL-E-5400, MIL-A-9094, MIL-A-7772 (ASG), MIL-A-6271, MIL-B-5087.

## PERFORMANCE



## SPECIFICATIONS

VHF

L-BAND

Dual Freq.  
**S65-8280-3**

### ELECTRICAL

Frequency	116-156 MHz	840-900 MHz
VSWR	2.3:1	1.7:1
Pattern	Omni/Az Cos/EI	Omni/Az Cos/EI
Polarization	Vertical	Vertical
Impedance	50 ohms	50 ohms
Isolation	20 dB	20 dB
Power	100 w/cont	250 w/avg 2000 w/peak

Lightning Protection ... DC grounded

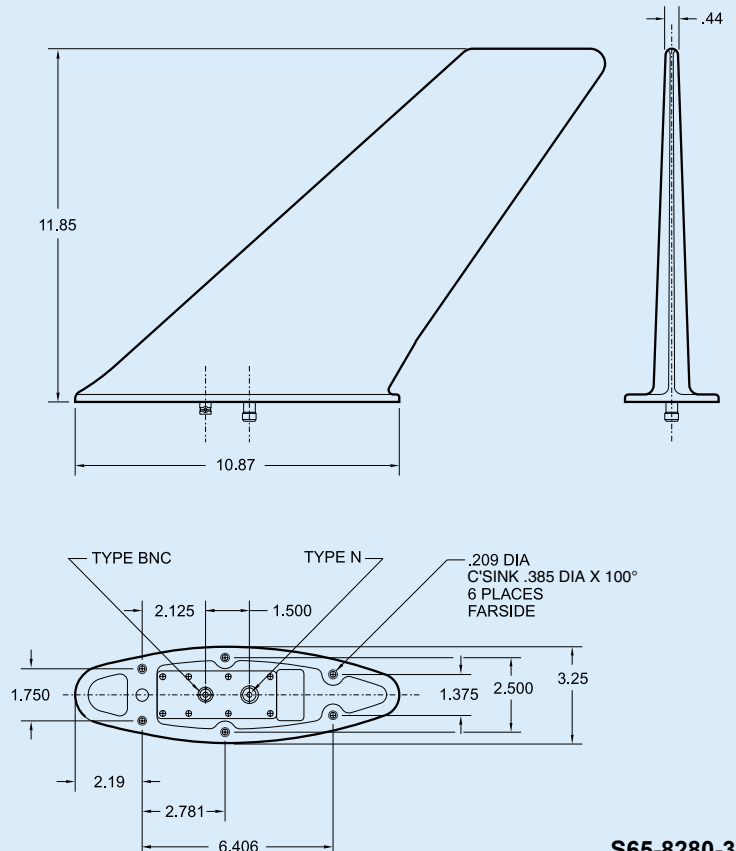
### MECHANICAL

Weight	2.8 lbs.
Height	11.85 in.
Material	A356-T61 aluminum casting
Finish	Skydrol resistant enamel
Connector	BNC N
Drag	1.5 lbs. Mach .85 @35,000 ft.

### ENVIRONMENTAL

Side Load	12 psi
Temperature	-60°F to +185°F
Vibration	14 G's
Altitude	60,000 ft.

## OUTLINE DRAWING



**S65-8280-3**



8929 Fullbright Avenue  
Chatsworth, CA 91311 USA  
818-341-5366 fax: 818-341-9059  
email: info@sensorantennas.com  
www.sensorantennas.com