



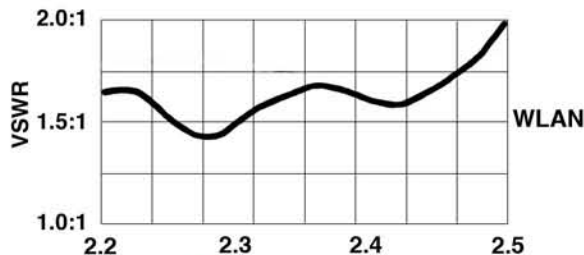
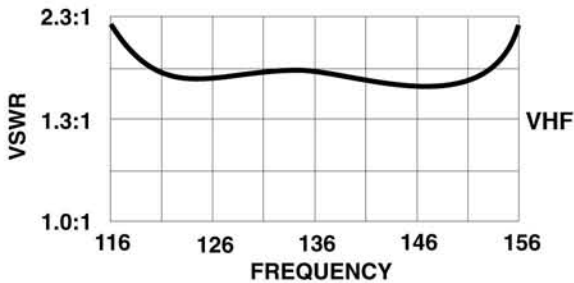
U.S. Patent No. 4,509,053

DESCRIPTION

S65-8280-37: All metal VHF communications antenna combined with WLAN frequencies of 2.2 to 2.5 GHz. WLAN section is designed for spread spectrum wireless local area network communications utilizing IEEE 802.11 b/g. The rugged design is highly resistant to impact damage and erosion. Hermetically sealed. DC grounded to provide lightning protection and eliminate "P" static.

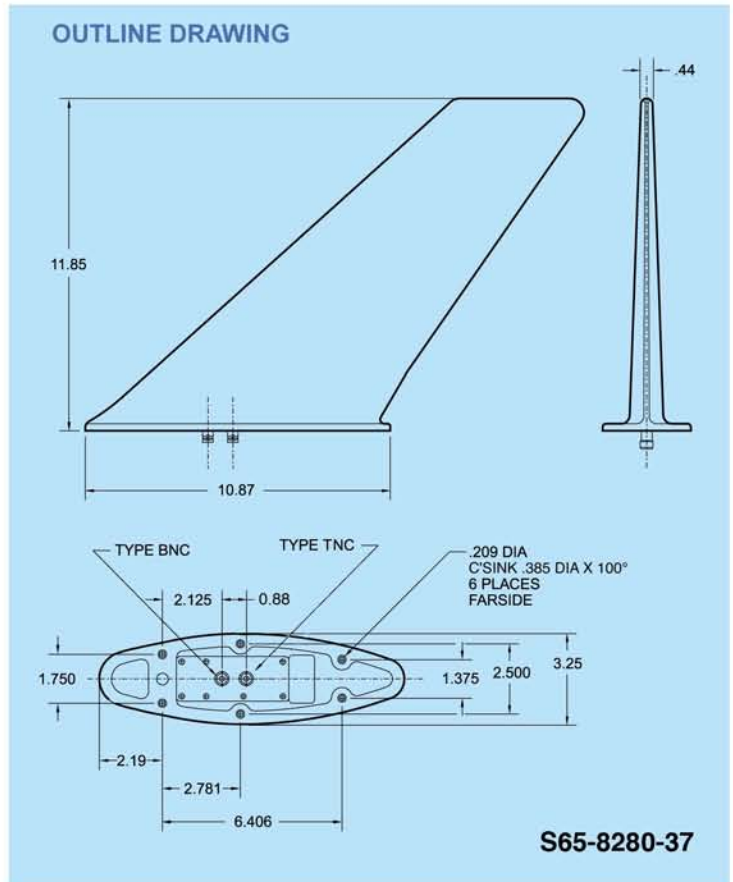
Federal & Military Specs: TSO-C37b & 38b, MIL-STD-810, MIL-HDBK-5400, MIL-E-5272C, MIL-A-7772B (ASG), MIL-A-6271A, MIL-A-9094C, IEEE 802.11b/g

PERFORMANCE



SPECIFICATIONS	VHF	WLAN
MODEL:	S65-8280-37	
ELECTRICAL		
Frequency	116-156 MHz	2.2 - 2.5 GHz
VSWR	≤2.3:1	≤2.0
Pattern	Omni/Az; Cos/EI	
Polarization	Vertical	
Impedance	50 ohms	
Power	40 watts CW	1000 watts peak
Lightning Protection	DC grounded	
MECHANICAL		
Weight	3.3 lbs.	
Height	11.85 in.	
Material	A356-T61 aluminum casting	
Finish	Skydrol-resistant enamel	
Connector	BNC	TNC
Drag	1.0 lb. Mach .85 @ 35,000 ft.	
ENVIRONMENTAL		
Side Load	12 psi	
Temperature	-60°F to +185°F	
Vibration	14 Gs	
Altitude	60,000 ft.	

OUTLINE DRAWING



S65-8280-37



Sensor Systems, Inc.
 8929 Fullbright Ave., Chatsworth, CA 91311
 Ph: 818-341-5366 Fax: 818-341-9059
 Email: info@SensorAntennas.com
 www.SensorAntennas.com