

VHF/FM S65-8280-4



U.S. Patent No. 4,509,053

DESCRIPTION

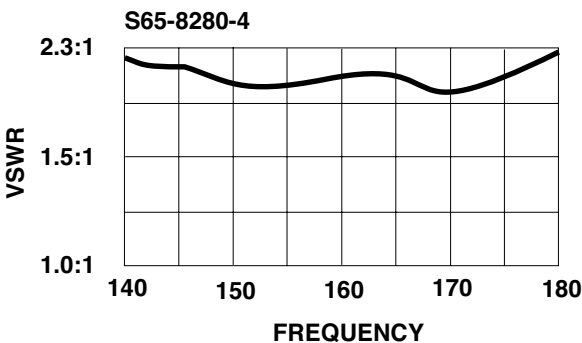
S65-8280-4: High band VHF/FM, all metal, DC grounded to provide lightning protection. For military, commuter and corporate aircraft with speeds up to 600 mph. Eliminates "P" static. Hermetically sealed. Bolt pattern interchangeable with Collins 37R-2, VC10-126, DMC 60 and other VHF communications antennas. Sonobuoy application.

NSN: 9059-00-856-5395

NSN: 5985-01-067-4131

FEDERAL & MILITARY SPECS: FAA TSO C37b and C38b, MIL-STD-810, MIL-E-5400, MIL-A-9094, MIL-A-7772 (ASG), MIL-A-6271, MIL-B-5087.

PERFORMANCE



SPECIFICATIONS

VHF/FM
S65-8280-4

ELECTRICAL

Frequency 140-180 MHz
 VSWR 2.3:1
 Pattern Omni/Az
 Cos/EI
 Polarization Vertical
 Impedance 50 ohms
 Power 100 watts
 Lightning Protection ... DC grounded

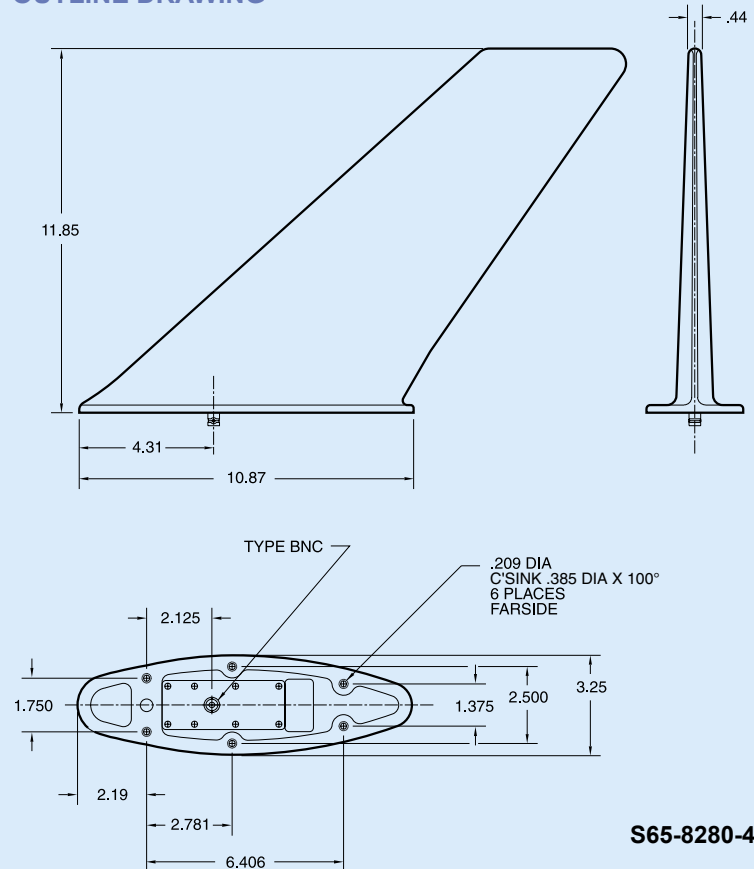
MECHANICAL

Weight 2.8 lbs.
 Height 11.85 in.
 Material A356-T61 aluminum casting
 Finish Skydrol resistant enamel
 Connector BNC
 Drag 1.5 lbs. Mach .85 @ 35,000 ft.

ENVIRONMENTAL

Side Load 12 psi
 Temperature -60°F to +185°F
 Vibration 14 G's
 Altitude 60,000 ft.

OUTLINE DRAWING



S65-8280-4