

VHF S65-8282-71; S65-8290-1



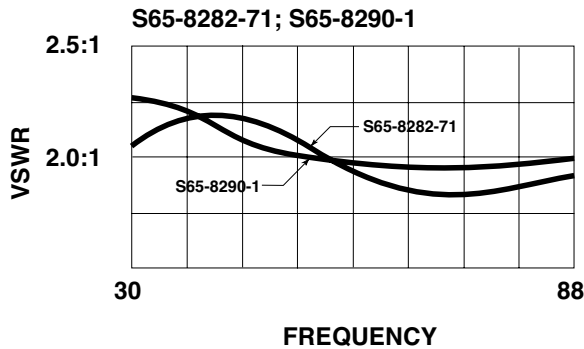
DESCRIPTION

S65-8282-71: Broadband, high-gain antenna with frequency range of 30 to 88 MHz. Aluminum alloy base, strong flexible fiberglass radiating element. Designed for helicopters or vehicles.

S65-8290-1: Same as S65-8282-71 except with 16.53 inch radiating element. Designed for FM homing. Phase tracking within ± 5 degrees.

FEDERAL & MILITARY SPECS: MIL-STD-810, MIL-E-5400.

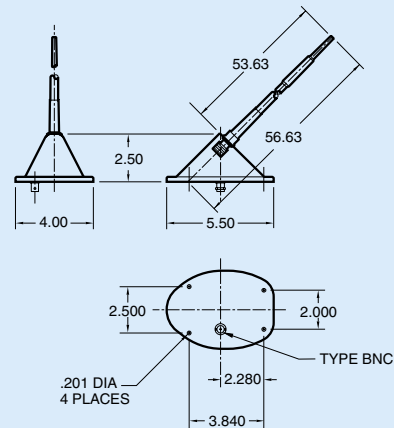
PERFORMANCE



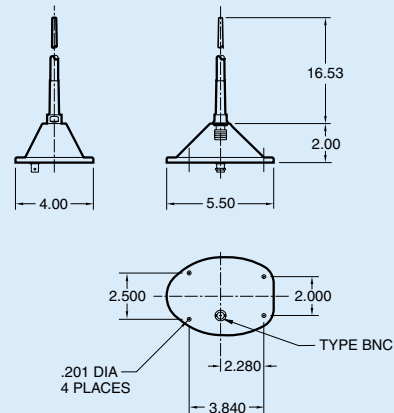
SPECIFICATIONS

	VHF S65-8282-71	HOMING S65-8290-1
ELECTRICAL		
Frequency	30-88 MHz	30-88 MHz
VSWR	2.5:1	2.6:1
Pattern	1/4 wave monopole	1/4 wave monopole
Polarization	Vertical	Vertical
Impedance	50 ohms	50 ohms
Power	50 watts	REC only
Lightning Protection	DC grounded	DC grounded
MECHANICAL		
Weight	1.0 lb.	
Height		
Base	2.5 in.	2.0 in.
Length		
Whip	53.63 in.	16.53 in.
Material	6061-T6 aluminum base	
	Valox / fiberglass whip	
Finish	Skydrol resistant enamel	
Connector	BNC	
ENVIRONMENTAL		
Temperature	-65°F to +185°F	
Vibration	10 G's	
Altitude	30,000 ft.	

OUTLINE DRAWING



S65-8282-71



S65-8290-1



8929 Fullbright Avenue
 Chatsworth, CA 91311 USA
 818-341-5366 fax: 818-341-9059
 email: info@sensorantennas.com
 www.sensorantennas.com