

### DESCRIPTION

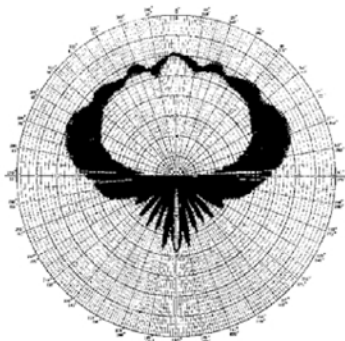
**S67-1575-109:** Iridium/GPS antenna covers the frequency range from 1565 MHz to 1626.5 MHz for excellent Iridium operation and GPS L1 applications. The low-profile, molded radomes material and design insures superior protection against rain, ice and lightning strikes. DC-grounded and hermetically sealed. Qualified for high-speed military aircraft as well as ARINC applications.

The S67-1575-109 is approved as Iridium Compatible Equipment (ICE).

**NSN:** 5985-01-507-4547

**FEDERAL & MILITARY SPECS:** AMS-C-5541, DO-160C, TSO-C129, MIL-E-5400, MIL-STD-810.

### RADIATION PATTERN

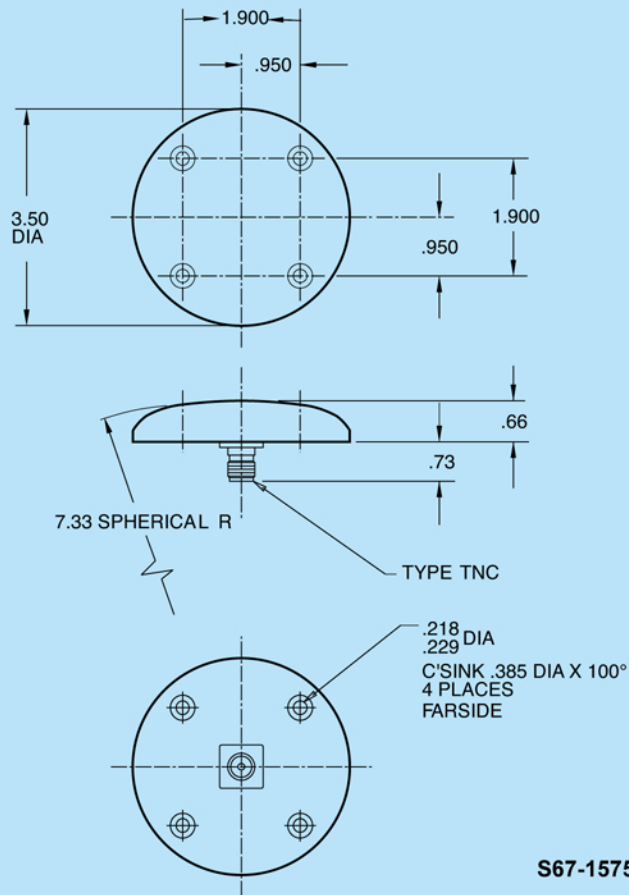


1565 - 1626.5 MHz



SPECIFICATIONS	FOR REFERENCE ONLY
<b>MODEL</b>	<b>S67-1575-109</b>
<b>ELECTRICAL</b>	
<b>Frequency</b>	<b>GPS :1575 +/-10MHz Iridium : 1616 -1626.5 MHz</b>
<b>VSWR</b>	1.5:1
<b>Polarization</b>	RHCP
<b>Impedance</b>	50 ohms
<b>Power Handling</b>	60 watts CW
<b>Gain</b>	+3 dBic @ Zenith
<b>Lightning Protection</b>	DC grounded
<b>MECHANICAL</b>	
<b>Weight</b>	6 oz.
<b>Height</b>	.66 in.
<b>Diameter</b>	3.5 in.
<b>Material</b>	6061-T6 aluminum / thermoset plastic
<b>Finish</b>	Skydrol-resistant enamel
<b>Connector</b>	TNC Female
<b>ENVIRONMENTAL</b>	
<b>Temperature</b>	-67° F to +185° F

### OUTLINE DRAWING



S67-1575-109

ISO 9001:2000 and EN/JISQ/AS9100:2004 Registered