



GPS S67-1575-132;-133

Amplified ARINC 743A



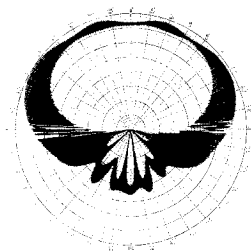
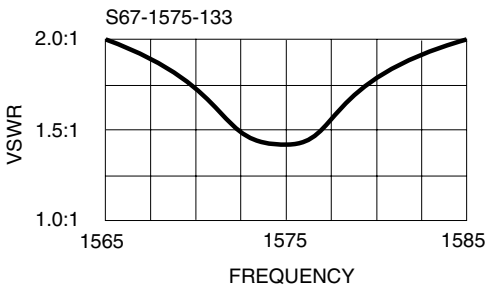
DESCRIPTION

S67-1575-132: ARINC 743A active antenna, low profile, with advanced radome design and material, offers enhanced protection against rain, ice and lightning strikes. 29.5dB gain, low-noise, wide bandwidth with special filtering. Accepts +4 to +24 VDC and contains internal voltage regulator. DC bias is provided through coax connector. Hermetically sealed. Meets TSO C144 for all MMR installations.

S67-1575-133: Same as (-132) except 33dB gain Selected for all Boeing aircraft with MMR installation. Complies with Boeing specification S242T104-102.

FEDERAL & MILITARY SPECS: FAA TSO C129a, C144, DO-160, DO-228 CHANGE 1, MIL-STD-810, ARINC 743A, MIL-C-5541, MIL-E-5400.

PERFORMANCE



1575 MHz
L1

RADIATION
PATTERN

SPECIFICATIONS

ELECTRICAL

	S67-1575-132	S67-1575-133
Frequency	1575.42 MHz	1575.42 MHz
VSWR	2.0:1	2.0:1
Polarization	RHCP	RHCP
Impedance	50 ohms	50 ohms
Antenna Gain (Typ)	3 dBic @ Zenith	
Gain Coverage (min) ...	-1.0 dBic $0^\circ \leq \theta \leq 75^\circ$ -2.5 dBic $75^\circ < \theta \leq 80^\circ$ -4.5 dBic $80^\circ < \theta \leq 85^\circ$ -7.5 dBic $\theta = 90^\circ$ @ Horizon	
Gain (preamp)	29.5±3dB	33.0 ±3 dB
Noise Figure	2.0 dB	2.0 dB
Power Handling	1 watt	1 watt
Voltage	+4 to +24 VDC	
Current	45 mA	
Lightning Protection ...	DC grounded	

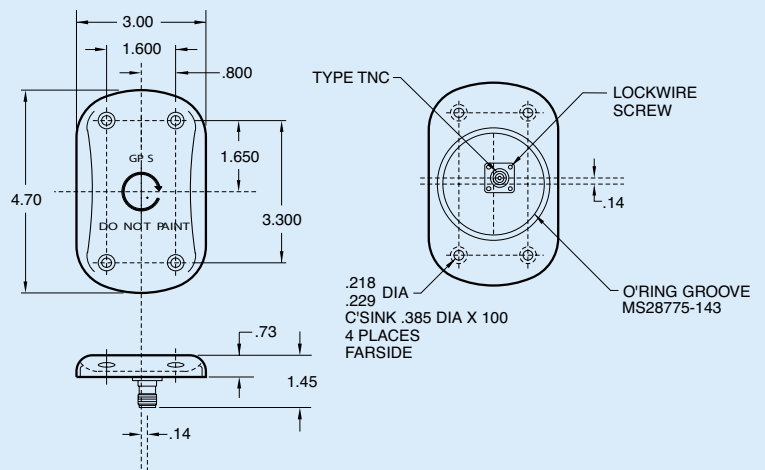
MECHANICAL

Weight	9 oz.	9 oz.
Height73 in.	.73 in.
Width	3.0 in.	3.0 in.
Length	4.70 in.	4.70 in.
Material	6061-T6 aluminum / thermoset plastic	
Finish	Skydrol resistant enamel	
Connector	TNC	

ENVIRONMENTAL

Temperature	-67°F to +185°F	
Vibration	10 G's	
Altitude	55,000 ft.	

OUTLINE DRAWING



S67-1575-132; -133