

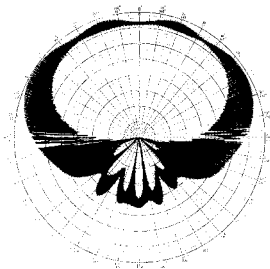
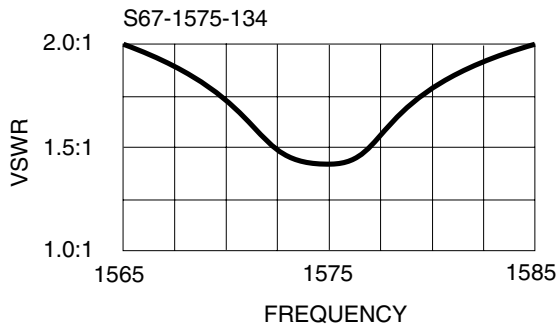


### DESCRIPTION

**S67-1575-134:** ARINC 743A active antenna, low profile, with advanced radome design and material, offers enhanced protection against rain, ice and lightning strikes. 33 dB gain, low-noise, wide bandwidth with special filtering. Accepts +4 to +24 VDC and contains internal voltage regulator. DC bias is provided through coax connector. Hermetically sealed. Meets HIRF/EMI, DO-228 Change 1 and TSO C144 requirements for all critical level MMR installations.

**FEDERAL & MILITARY SPECS:** FAA TSO C129a, C144, DO-160, DO-228 CHANGE 1, MIL-STD-810, ARINC 743A, MIL-C-5541, MIL-E-5400.

### PERFORMANCE



1575 MHz  
L1

RADIATION  
PATTERN

### SPECIFICATIONS

GPS

S67-1575-134

#### ELECTRICAL

Frequency .....	1575.42 ± 10 MHz
VSWR .....	2.0:1
Polarization .....	RHCP
Impedance .....	50 ohms
Antenna Gain (Typ) .....	3 dBic @ Zenith
Gain Coverage (min) ...	-1.0 dBic 0° ≤ θ ≤ 75°
	-2.5 dBic 75° < θ ≤ 80°
	-4.5 dBic 80° < θ ≤ 85°
	-7.5 dBic θ = 90° @ Horizon
Gain (preamp) .....	33.0 ± 3 dB
Noise Figure .....	2.5 dB
Power Handling .....	1 watt
Voltage .....	+4 to +24 VDC
Current .....	45 mA
Lightning Protection ...	DC grounded

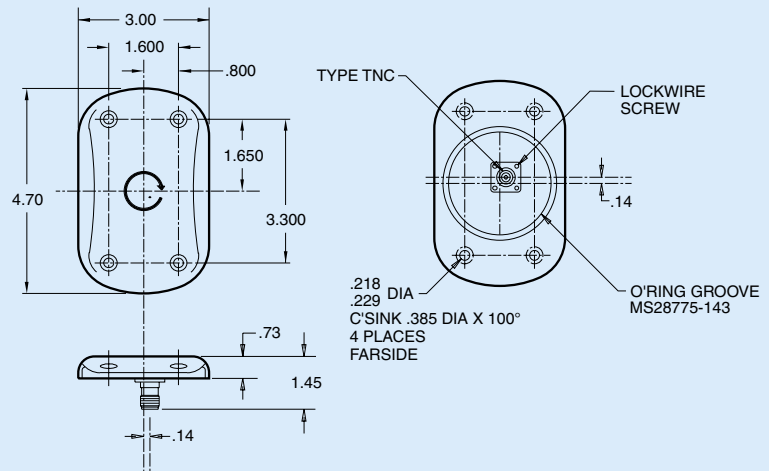
#### MECHANICAL

Weight .....	8 oz.
Height .....	.73 in
Width .....	3.0 in.
Length .....	4.70 in.
Material .....	6061-T6 aluminum / thermoset plastic
Finish .....	Skydrol resistant enamel
Connector .....	TNC

#### ENVIRONMENTAL

Temperature .....	-67°F to +185°F
Vibration .....	10 G's
Altitude .....	55,000 ft.

### OUTLINE DRAWING



S67-1575-134