

GPS S67-1575-145

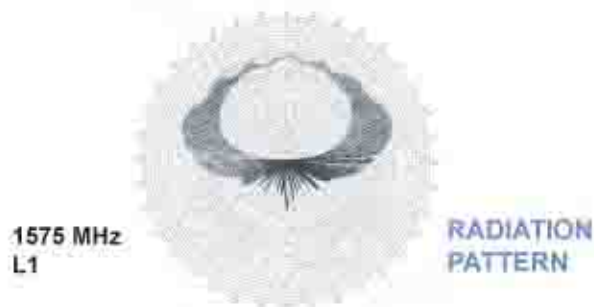
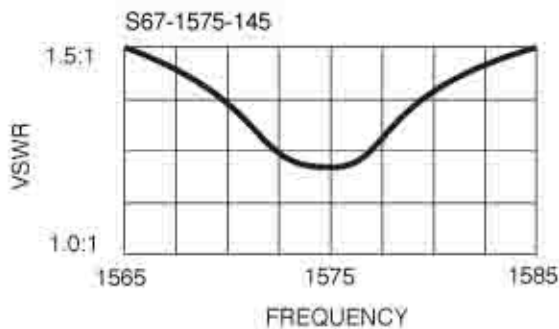


DESCRIPTION

S67-1575-145: ARINC 743A active antenna is certified to the requirements of DO-301 and is approved for TSO C190 operation in WAAS Beta 3 applications. The low profile, with advanced radome design and material, offers enhanced protection against rain, ice and lightning strikes.

FEDERAL & MILITARY SPECS: FAA TSO C129a, C144, C190, DO-160, DO-301, MIL-STD-810, ARINC 743A, MIL-DTL-5541, MIL-HDBK-5400

PERFORMANCE



SPECIFICATIONS

GPS
 S67-1575-145

ELECTRICAL

Frequency	1575.42 ±10.23 MHz
VSWR	≤1.5:1
Polarization	RHCP
Impedance	50 ohms
Axial Ratio	≤3.0 dB @ Zenith
Antenna Gain (Typ)	3 dBic @ Zenith
Gain Coverage (min)	-1.0 dBic 0° ≤ θ ≤ 75° -2.5 dBic 75° < θ ≤ 80° -4.5 dBic 80° < θ ≤ 85° -7.5 dBic θ = 90° @ Horizon
Gain (preamp)	29.5 ±3 dB
G/T	-31.6 db/k
Differential Group	
Delay	<25nS
Power Handling	1 watt
Voltage	+4 to +24 VDC
Current	<60 mA
Lightning Protection	DC grounded

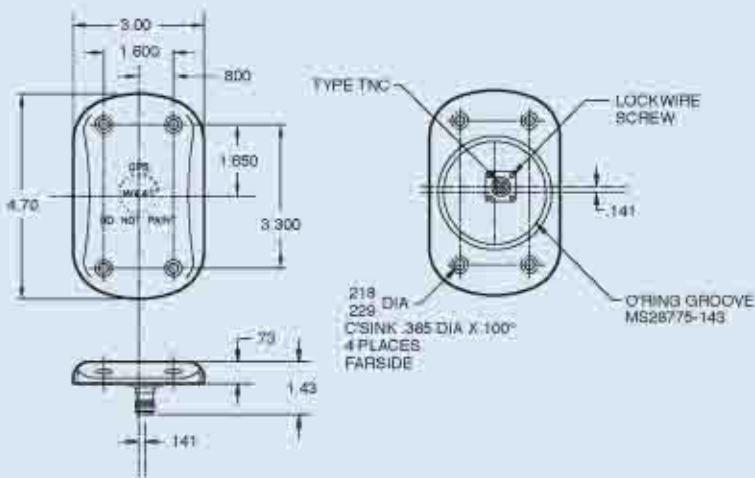
MECHANICAL

Weight	10 oz.
Height	0.73 in.
Width	3.0 in.
Length	4.70 in.
Material	6061-T6 aluminum / thermoset plastic
Finish	Skydrol resistant polyurethane enamel
Connector	TNC

ENVIRONMENTAL

Temperature	-67°F to +158°F
Vibration	10 G's
Altitude	-100 to 55,000 ft.

OUTLINE DRAWING



8029 Fullbright Avenue
 Chatsworth, CA 91311 USA
 818-341-5366 fax: 818-341-9059
 email: info@sensorantennas.com
 www.sensorantennas.com

S67-1575-145