



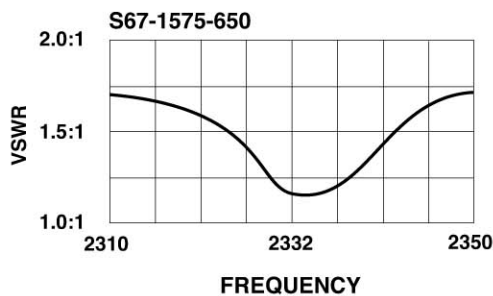
## DESCRIPTION

**S67-1575-650:** Active antenna designed for use with Sirius radio receivers; providing aviation, weather, and cabin entertainment services. Designed to mitigate reflected frequencies at the horizon. Integrated 29 dB amplifier with TNC connector.

Mechanical configuration consists of a machined aluminum base with a spherical radius. Radome design and materials provide enhanced protection against rain, ice, and lightning strikes. 3½ inch diameter, 1¼ inch height.

**FEDERAL & MILITARY SPECS:** D0-160C and E, MIL-STD-810, TSO-C157.

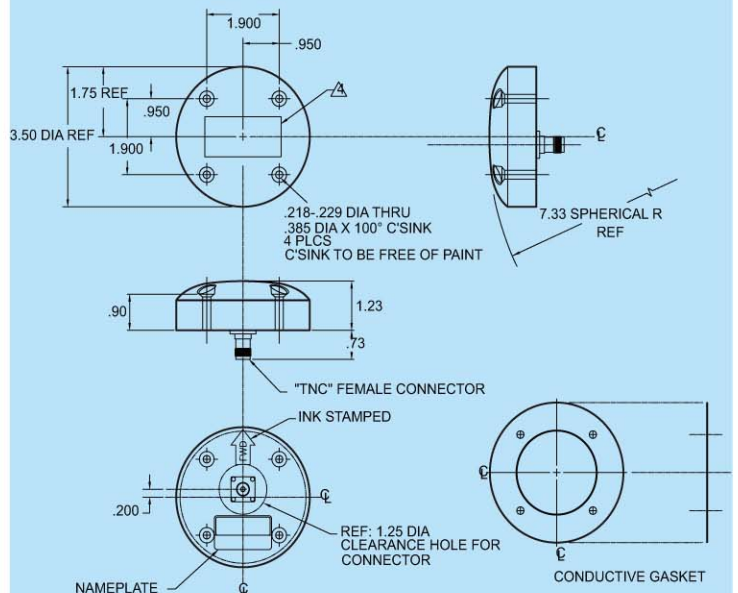
## PERFORMANCE



**Sensor Systems, Inc.**  
8929 Fullbright Ave., Chatsworth, CA 91311  
Ph: 818-341-5366 Fax: 818-341-9059  
Email: info@SensorAntennas.com  
www.SensorAntennas.com

SPECIFICATIONS	FIS-B / SIRIUS
<b>MODEL</b>	<b>S67-1575-650</b>
<b>ELECTRICAL</b>	
<b>Frequency</b>	2326 ±7 MHz
<b>VSWR</b>	<2.0:1
<b>Polarization</b>	LHCP
<b>Impedance</b>	50 OHMS
<b>Axial Ratio</b>	<3 dB @ Zenith
<b>Power Handling</b>	100 mW (+20 dBm)
<b>Gain</b>	-4.5 dBic 0 = 30° -10.5 dBic 0 = 10° -14.8 dBic 0 = 0° (@ Horizon)
<b>Gain (Preamplifier)</b>	29.5 ±3 dB
<b>Supply Voltage</b>	+3.3 TO +28 VDC @ 45 mA Max
<b>MECHANICAL</b>	
<b>Weight</b>	9 oz.
<b>Height</b>	1.23 in.
<b>Diameter</b>	3.50 in.
<b>Material</b>	6061-T6 aluminum
<b>Finish</b>	Skydrol-resistant enamel
<b>Connectors</b>	TNC Female
<b>ENVIRONMENTAL</b>	
<b>Temperature</b>	-55°C (-67°F) TO +85°C (+185°F)
<b>Vibration</b>	10 Gs
<b>Altitude</b>	-100 to 55,000 ft

## OUTLINE DRAWING



S67-1575-650