

# TCAS I S72-1744; S72-1746



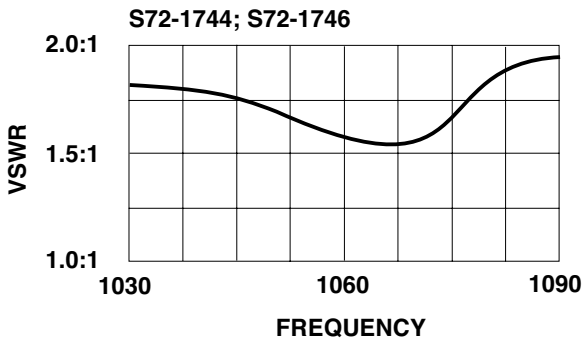
## DESCRIPTION

**S72-1744:** Traffic Collision Avoidance System I (TCAS I). Low profile, teardrop radome with leading edge shield for longer life. Provides lightning strike protection. Directional pattern, four (4) element array antenna. Integrated Sum and Difference output capability. Applicable for high speed aircraft.

**S72-1746:** Traffic Avoidance System (TAS). Low profile, teardrop radome with leading edge shield for longer life. Provides lightning strike protection. Directional pattern, four (4) element array antenna. Integrated sum and difference output capability. Applicable for general aviation aircraft. Available with Goodrich "Skywatch" system.

**FEDERAL & MILITARY SPECS:** FAA TSO C118, DO-160, DO-197, MIL-C-5541, MIL-STD-454.

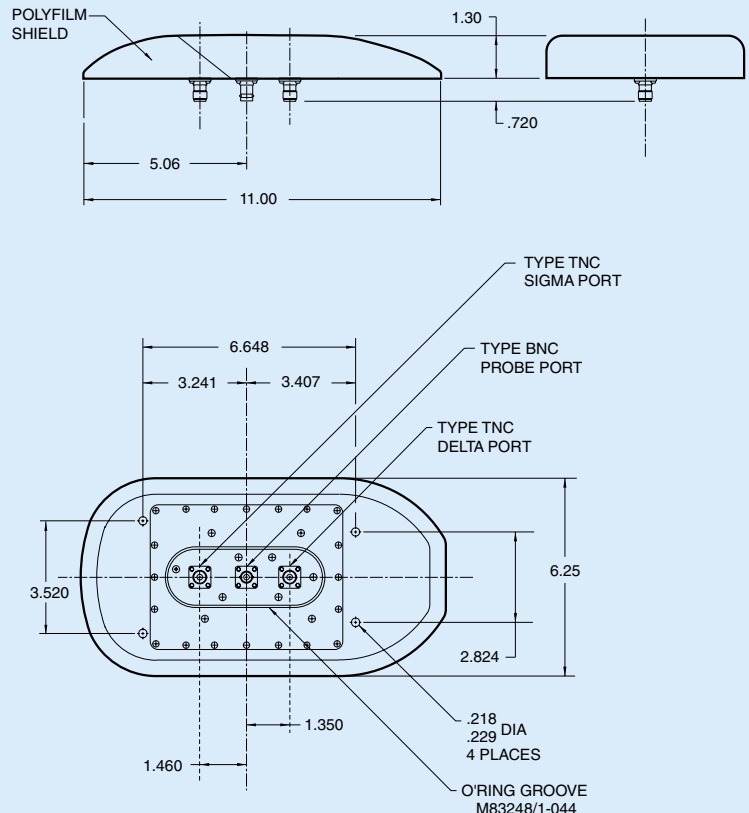
## PERFORMANCE



## SPECIFICATIONS

	S72-1744	TCAS I	S72-1746
<b>ELECTRICAL</b>			
Frequency .....	1030 MHz		1030 MHz
	1090 MHz		1090 MHz
VSWR .....	2.0:1 (1030 MHz)		2.0:1 (1030 MHz)
	2.3:1 (1090 MHz)		2.3:1 (1090 MHz)
Impedance .....	50 ohms		50 ohms
Power .....	10 watts		10 watts
Delta/Sigma .....	1000 w/peak		1000 w/peak
	Transmit/Rec		Transmit/Rec
Bit Probe .....	10 watts		10 watts
<b>MECHANICAL</b>			
Weight .....		2.3 lbs.	
Height .....		1.30 in.	
Material .....	6061-T6 aluminum / thermoset plastic		
Finish .....	Skydrol resistant enamel		
Connector .....	TNC (Delta / Sigma Port)		
	BNC (Probe Port)		
<b>ENVIRONMENTAL</b>			
Temperature .....	-67°F to +185°F		
Vibration .....	10 G's		
Altitude .....	55,000 ft.		

## OUTLINE DRAWING



**S72-1744**  
**S72-1746**



8929 Fullbright Avenue  
Chatsworth, CA 91311 USA  
818-341-5366 fax: 818-341-9059  
email: info@sensorantennas.com  
www.sensorantennas.com